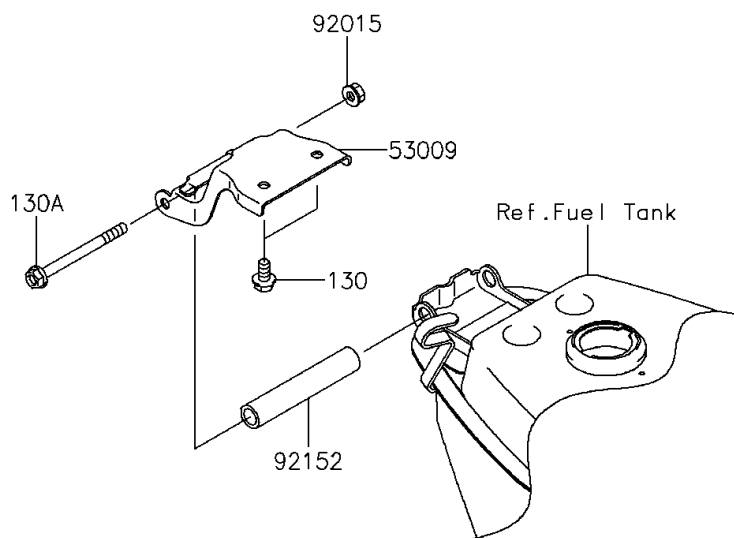
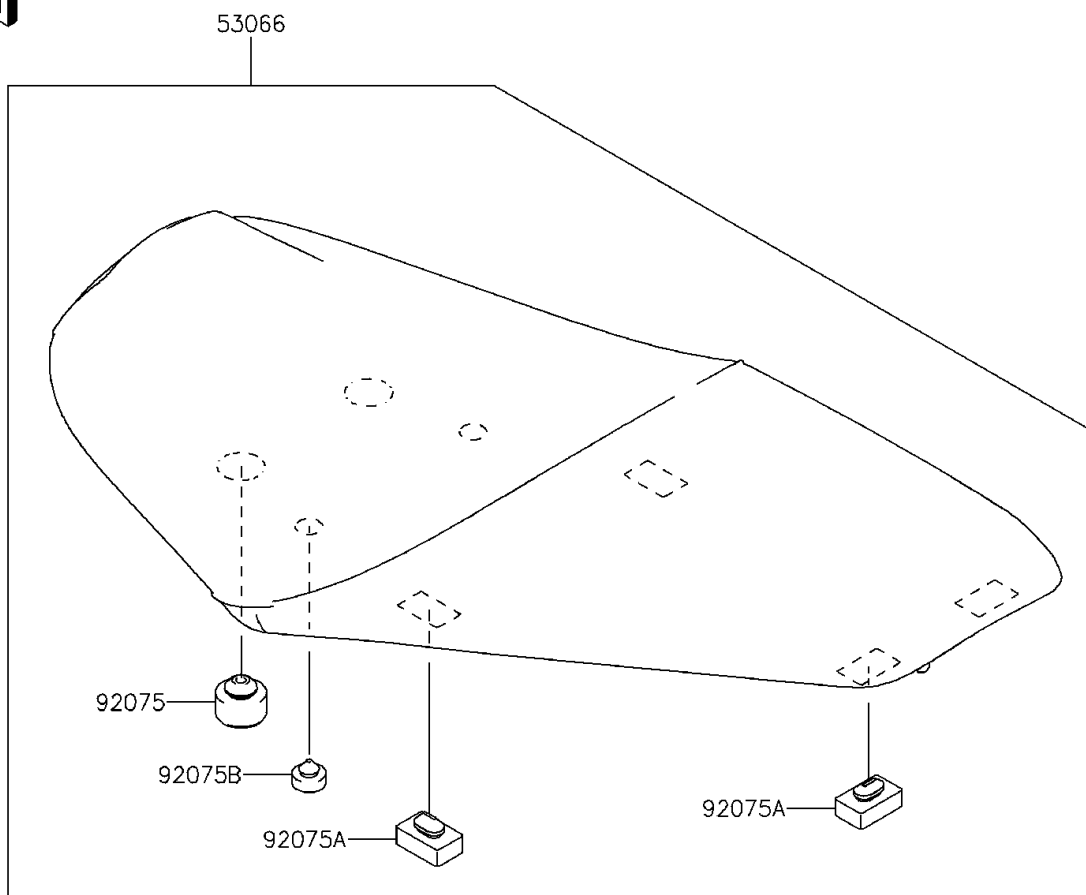


2013 KAZE HIT PARTS DIAGRAM

Seat

F2510



2013 KAZE HIT PARTS LIST

Seat

ITEM NAME	PART NUMBER	QUANTITY
BOLT-FLANGED,6X12 (Ref # 130)	130BA0612	1
BOLT-FLANGED,6X70 (Ref # 130A)	130BA0670	1
HINGE (Ref # 53009)	53009-0304	1
SEAT-ASSY,BLACK (Ref # 53066)	53066-0340-MA	1
NUT,FLANGED,6MM,BLACK (Ref # 92015)	92015-1233	1
DAMPER (Ref # 92075)	92075-015	1
DAMPER (Ref # 92075A)	92075-099	1
DAMPER (Ref # 92075B)	92075-1927	1
COLLAR,6.8X10X55.8 (Ref # 92152)	92152-1374	1