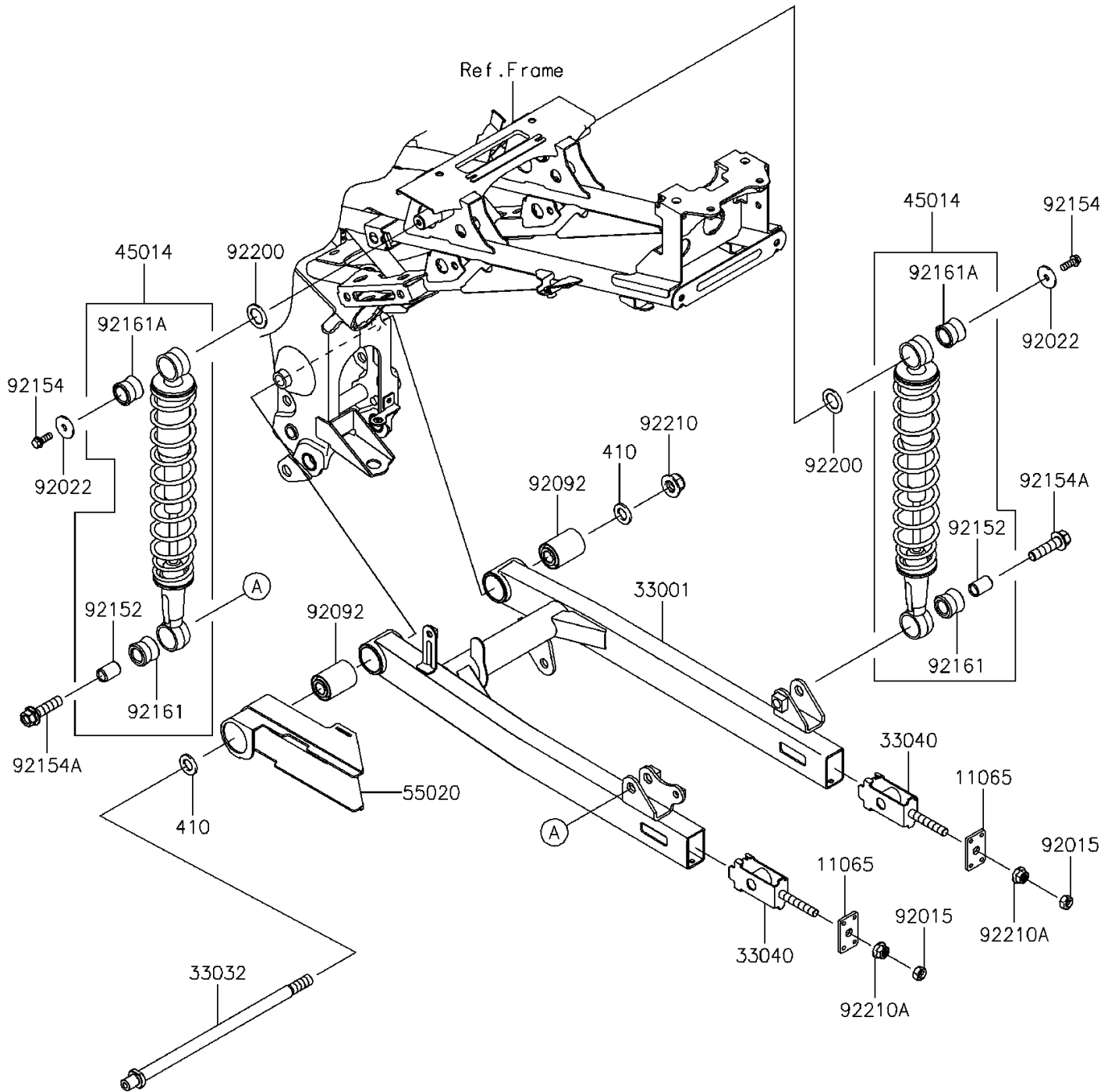


2013 KAZE HIT PARTS DIAGRAM

Swingarm/Shock Absorber

F2140



2013 KAZE HIT PARTS LIST

Swingarm/Shock Absorber

ITEM NAME	PART NUMBER	QUANTITY
WASHER-PLAIN-SMALL,12MM (Ref # 410)	410AA1200	1
CAP (Ref # 11065)	11065-0314	1
ARM-COMP-SWING,P.SILVER (Ref # 33001)	33001-0556-458	1
SHAFT-SWING ARM (Ref # 33032)	33032-0034	1
ADJUSTER-CHAIN (Ref # 33040)	33040-0074	1
SHOCKABSORBER,BLACK (Ref # 45014)	45014-0357-10	1
GUARD,CHAIN (Ref # 55020)	55020-1770	1
NUT,8MM (Ref # 92015)	92015-1364	1
WASHER,6.5X24X2 (Ref # 92022)	92022-1690	1
BUSHING-RUBBER (Ref # 92092)	92092-1089	1
COLLAR (Ref # 92152)	92152-0830	1
BOLT,FLANGED,6X16 (Ref # 92154)	92154-0768	1
BOLT,FLANGED,10X38 (Ref # 92154A)	92154-0769	1
DAMPER,SHOCKABSORBER (Ref # 92161)	92161-1262	1
DAMPER,SHOCKABSORBER (Ref # 92161A)	92161-1263	1
WASHER,17X26X1.6 (Ref # 92200)	92200-1607	1
NUT,LOCK,FLANGED,12MM (Ref # 92210)	92210-0348	1
NUT,8MM (Ref # 92210A)	92210-0773	1