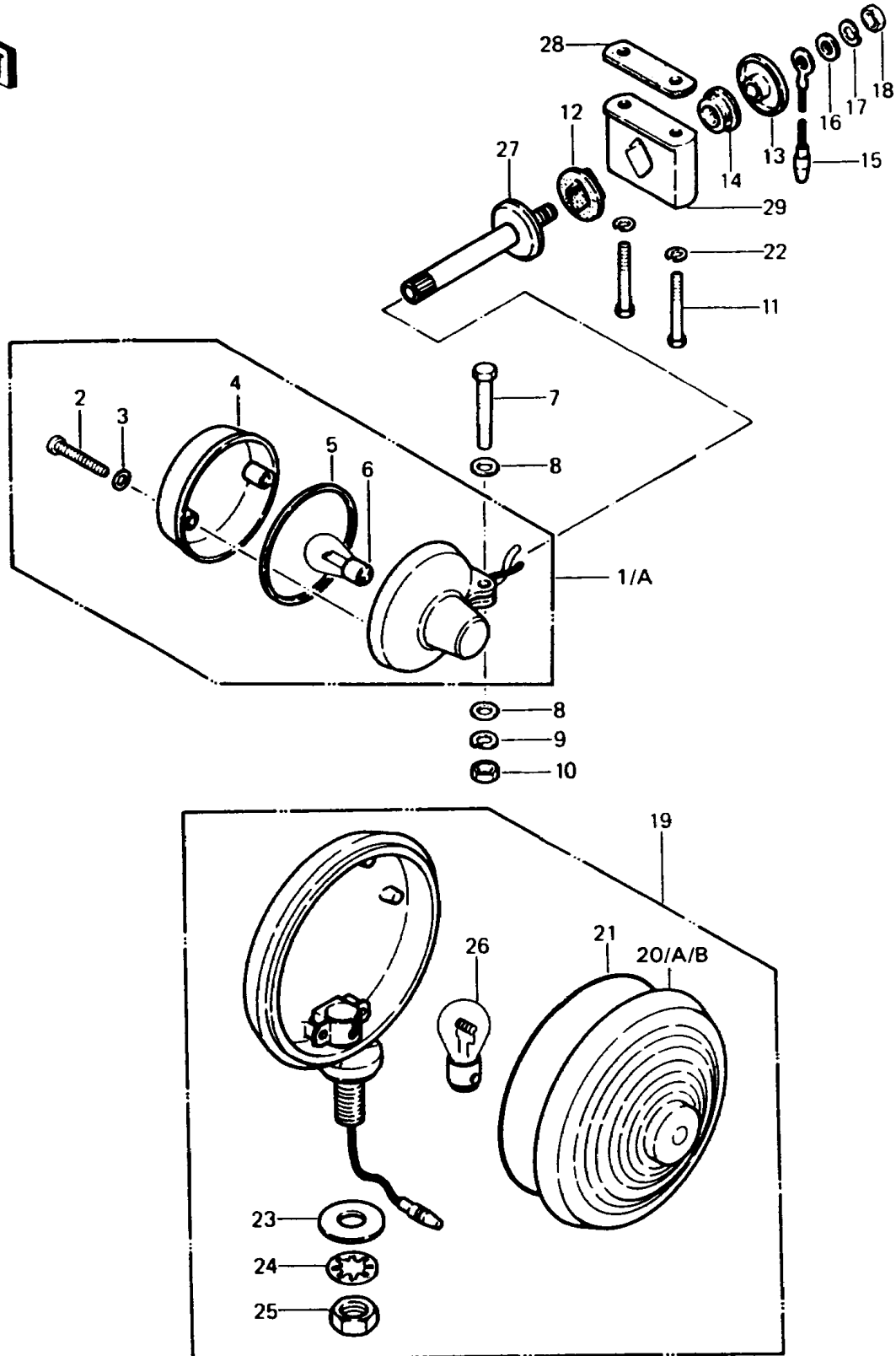


## 1987 PARTS DIAGRAM

Turn Signal



## 1987 PARTS LIST

Turn Signal

ITEM NAME	PART NUMBER	QUANTITY
NUT,FLANGED,6MM (Ref # 10)	92015-1078	1
BOLT-SMALL-UPSET (Ref # 11)	115B0855	1
DAMPER,TURN SIGNAL FITTING (Ref # 12)	92075-1014	1
COLLAR,SIGNAL LAMP (Ref # 13)	92027-1025	1
DAMPER (Ref # 14)	92075-158	1
WIRE-LEAD,L=285 (Ref # 15)	26011-095	1
WASHER-PLAIN,10MM (Ref # 16)	411B1000	1
WASHER-SPRING,10MM (Ref # 17)	461F1000	1
NUT-HEX-FINE,10MM (Ref # 18)	315B1000	1
LAMP-SIGNAL,RR (Ref # 19)	23040-055	1
LENS-SIGNAL LAMP,REAR,RED (Ref # 20A)	23048-019	1
LENS-SIGNAL LAMP,REAR,BLUE (Ref # 20B)	23048-020	1
LENS-SIGNAL LAMP,REAR,AMBER (Ref # 20)	23048-018	1
RING-O (Ref # 21)	92055-103	1
WASHER-SPRING,8MM (Ref # 22)	461F0800	1
GASKET (Ref # 23)	92065-037	1
WASHER-TOOTHED,12MM (Ref # 24)	464G1200	1
NUT-UNF SC,16MM (Ref # 25)	340BA1600	1
BULB,12V 32CP(23W) (Ref # 26)	92069-055	1
BRACKET-SIGNAL LAMP (Ref # 27)	23051-1014	1
DAMPER (Ref # 28)	92075-4022	1
BRACKET (Ref # 29)	23051-4002	1
LAMP-SIGNAL,LH (Ref # 1A)	23040-1006	1
LAMP-SIGNAL,RH (Ref # 1)	23040-1005	1
SCREW-PAN-CROS (Ref # 2)	220R0435	1
WASHER,PLAIN,4MM (Ref # 3)	23058-002	1
LENS-SIGNAL LAMP,"6.1445"MARK (Ref # 4)	23048-1024	1
GASKET,TURN SIGNAL LAMP (Ref # 5)	23050-002	1
BULB,12V 32/3CP(23/8W) (Ref # 6)	92069-060	1

## 1987 PARTS LIST

Turn Signal

ITEM NAME	PART NUMBER	QUANTITY
BOLT,6X30,CR PLATED (Ref # 7)	92001-1746	1
WASHER-PLAIN,6MM (Ref # 8)	411B0600	1
WASHER-SPRING,6MM (Ref # 9)	461F0600	1