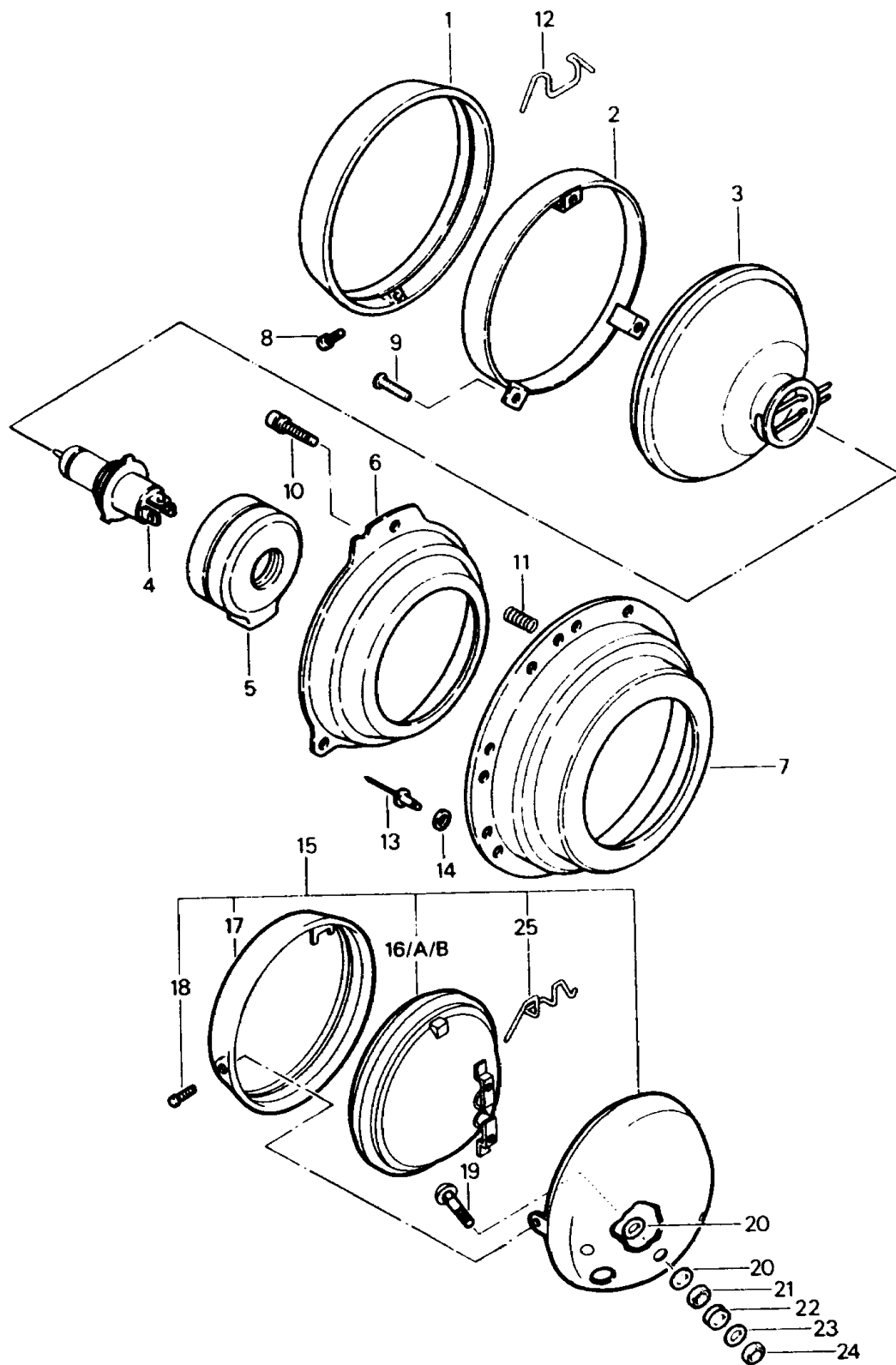


1987 PARTS DIAGRAM

Head Lamp



1987 PARTS LIST

Head Lamp

ITEM NAME	PART NUMBER	QUANTITY
SCREW,PAN HEAD (Ref # 10)	92009-4008	1
SPRING (Ref # 11)	92081-4014	1
SPRING,CLIP (Ref # 12)	92081-4015	1
RIVET-BLIND REG (Ref # 13)	534YW0608	1
WASHER (Ref # 14)	92022-3539	1
LAMP-ASSY,PURSUIT,RED (Ref # 15)	23016-4004	1
LENS-COMP,PURSUIT LAMP,BLUE (Ref # 16A)	23007-1002	1
LENS-COMP,PURSUIT LAMP,AMBER (Ref # 16B)	23007-1003	1
LENS-COMP,PURSUIT LAMP,RED (Ref # 16)	23007-1001	1
RIM-LAMP,PURSUIT LAMP (Ref # 17)	23006-4004	1
SCREW,4X8 (Ref # 18)	92009-4011	1
BOLT,CARRIAGE (Ref # 19)	92001-4015	1
WASHER-PLAIN,8MM (Ref # 20)	411B0800	1
NUT-HEX,6MM (Ref # 21)	312B0600	1
GROMMET (Ref # 22)	92071-056	1
WASHER,6.5X20X1.6 (Ref # 23)	92022-125	1
NUT,LOCK,6MM (Ref # 24)	92019-008	1
SPRING,CLIP (Ref # 25)	92081-4016	1
RIM-LAMP,HEAD (Ref # 1)	23006-4002	1
RETAINER,HEAD LAMP (Ref # 2)	14020-4002	1
LENS-COMP,"001-1970" MARK (Ref # 3)	23007-1009	1
BULB,12V 60/55W,H4 (Ref # 4)	92069-1002	1
COVER-SEAL (Ref # 5)	49016-1016	1
HOLDER,HEAD LAMP (Ref # 6)	13091-4007	1
BODY-COMP-HEAD LAMP (Ref # 7)	23005-4003	1
SCREW,4X14 (Ref # 8)	92009-4009	1
SCREW,PAN HEAD (Ref # 9)	92009-4007	1