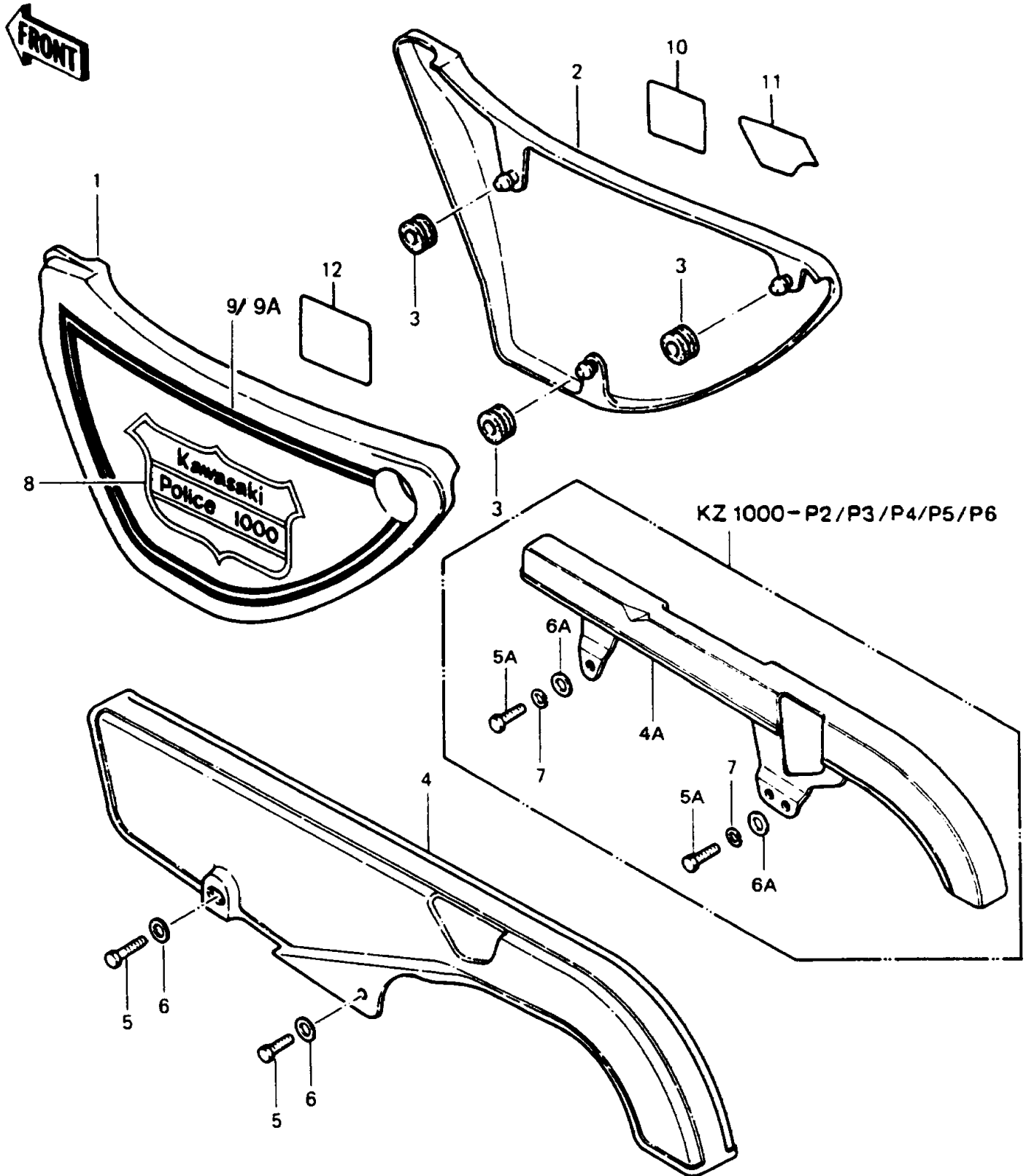


1987 PARTS DIAGRAM

Side Cover/Chain Case



1987 PARTS LIST

Side Cover/Chain Case

ITEM NAME	PART NUMBER	QUANTITY
LABEL-MANUAL,BATTERY VENT (Ref # 10)	56031-1159	1
LABEL-MANUAL,OIL & OIL FILTER (Ref # 11)	56031-1162	1
LABEL-MANUAL,DAILY SAFETY (Ref # 12)	56031-1188	1
COVER-SIDE,LH,J.WHITE (Ref # 1)	36001-1110-8C	1
COVER-SIDE,RH,J.WHITE (Ref # 2)	36001-1111-8C	1
GROMMET (Ref # 3)	92071-056	1
CASE-CHAIN (Ref # 4A)	36014-1034	1
CASE-CHAIN (Ref # 4)	36014-1030	1
BOLT,6X16 (Ref # 5A)	110B0616	1
BOLT,6X14 (Ref # 5)	92001-115	1
WASHER-PLAIN,6MM (Ref # 6A)	411B0600	1
WASHER,8.5X20X1.6 (Ref # 6)	92022-195	1
WASHER-SPRING,6MM (Ref # 7)	461F0600	1
EMBLEM,SIDE COVER (Ref # 8)	56014-4020	1
PATTERN,SIDE COVER,LH (Ref # 9A)	56027-4076	1
PATTERN,SIDE COVER,RH (Ref # 9)	56027-4075	1