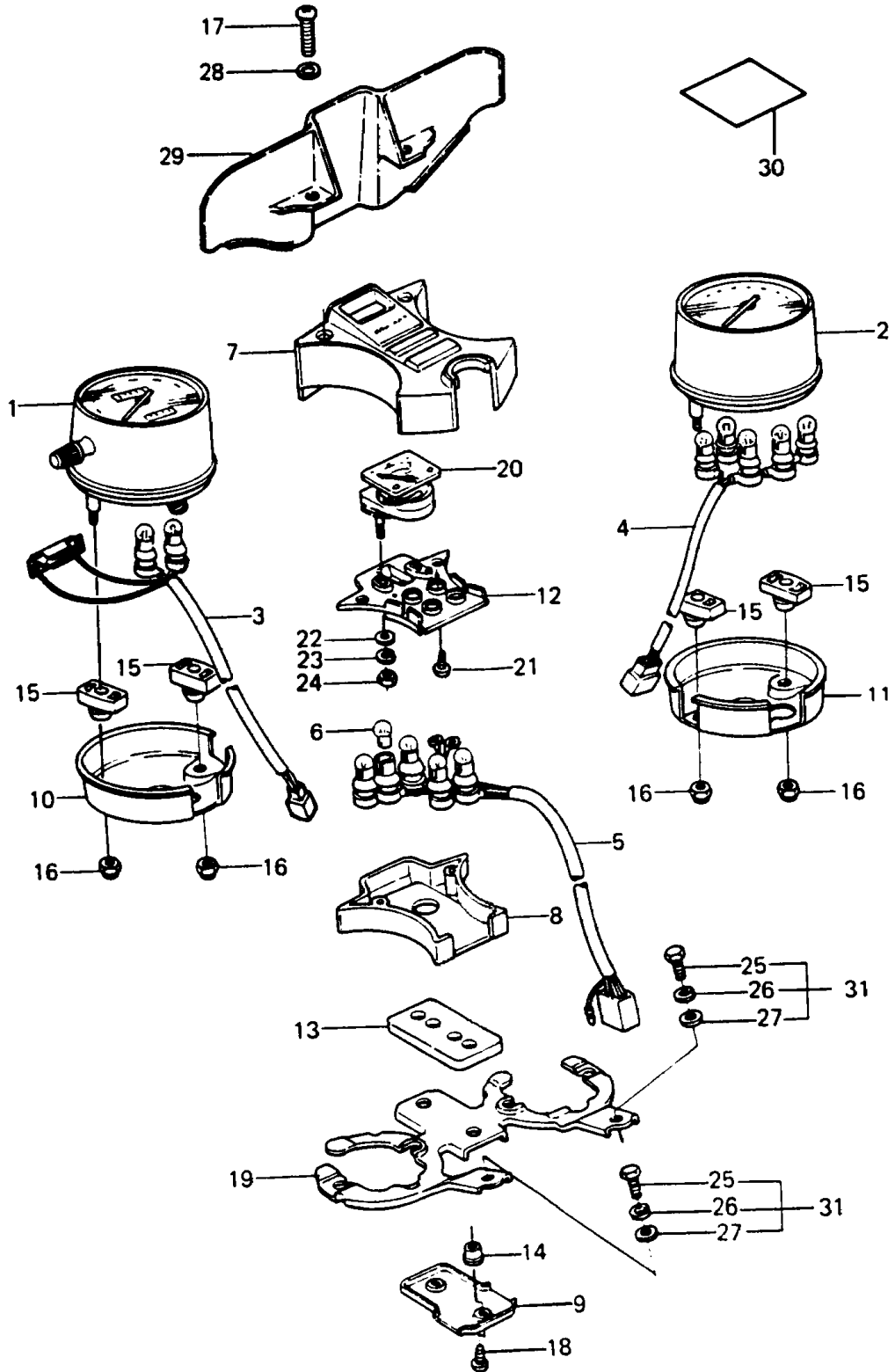


## 1987 PARTS DIAGRAM

Meter



## 1987 PARTS LIST

Meter

| ITEM NAME                                 | PART NUMBER | QUANTITY |
|---|-------------|----------|
| COVER,SPEEDOMETER (Ref # 10)              | 14025-4019  | 1        |
| COVER,TACHOMETER (Ref # 11)               | 14025-1458  | 1        |
| PLATE,SOCKET (Ref # 12)                   | 13169-1238  | 1        |
| DAMPER,PILOT BOX (Ref # 13)               | 92075-1246  | 1        |
| DAMPER,METER (Ref # 14)                   | 25019-023   | 1        |
| DAMPER,SHOCK,METER (Ref # 15)             | 92075-1101  | 1        |
| NUT,CAP,5MM (Ref # 16)                    | 92020-018   | 1        |
| SCREW-PAN-CROS (Ref # 17)                 | 220C0445    | 1        |
| SCREW,TAPPING,4X10 (Ref # 18)             | 92009-1040  | 1        |
| BRACKET-METER (Ref # 19)                  | 25008-4001  | 1        |
| METER,FUEL (Ref # 20)                     | 28011-1027  | 1        |
| SCREW,TAPPING,3.5X12 (Ref # 21)           | 92008-012   | 1        |
| WASHER-PLAIN-SMALL,4MM (Ref # 22)         | 410B0400    | 1        |
| WASHER-SPRING,4MM (Ref # 23)              | 461F0400    | 1        |
| NUT-HEX (Ref # 24)                        | 311B0400    | 1        |
| BOLT,6X14 (Ref # 25)                      | 110B0614    | 1        |
| WASHER-SPRING,6MM (Ref # 26)              | 461F0600    | 1        |
| WASHER-PLAIN,6MM (Ref # 27)               | 411B0600    | 1        |
| WASHER-PLAIN-SMALL,4MM,BLACK (Ref # 28)   | 410F0400    | 1        |
| COVER-METER CASE (Ref # 29)               | 25023-4003  | 1        |
| LABEL-WARNING,BREAK IN CAUTION (Ref # 30) | 56040-1007  | 1        |
| BOLT-UPSET-WSP (Ref # 31)                 | 187B0614    | 1        |
| SPEEDOMETER,MPH (Ref # 1)                 | 25005-1170  | 1        |
| TACHOMETER,X1000RPM (Ref # 2)             | 25015-1114  | 1        |
| SOCKET-ASSY,SPEEDOMETER (Ref # 3)         | 23008-1142  | 1        |
| SOCKET-ASSY,TACHOMETER (Ref # 4)          | 23008-1143  | 1        |
| SOCKET-ASSY,FUEL METER (Ref # 5)          | 23008-1144  | 1        |
| BULB,12V 3.4W (Ref # 6)                   | 92069-1007  | 1        |
| COVER-METER CASE,PILOT BOX,UPP (Ref # 7)  | 25023-4004  | 1        |

## 1987 PARTS LIST

Meter

| ITEM NAME                     | PART NUMBER | QUANTITY |
|-------------------------------|-------------|----------|
| COVER,PILOT BOX,LWR (Ref # 8) | 14025-4020  | 1        |
| COVER,METER BRACKET (Ref # 9) | 14025-1211  | 1        |