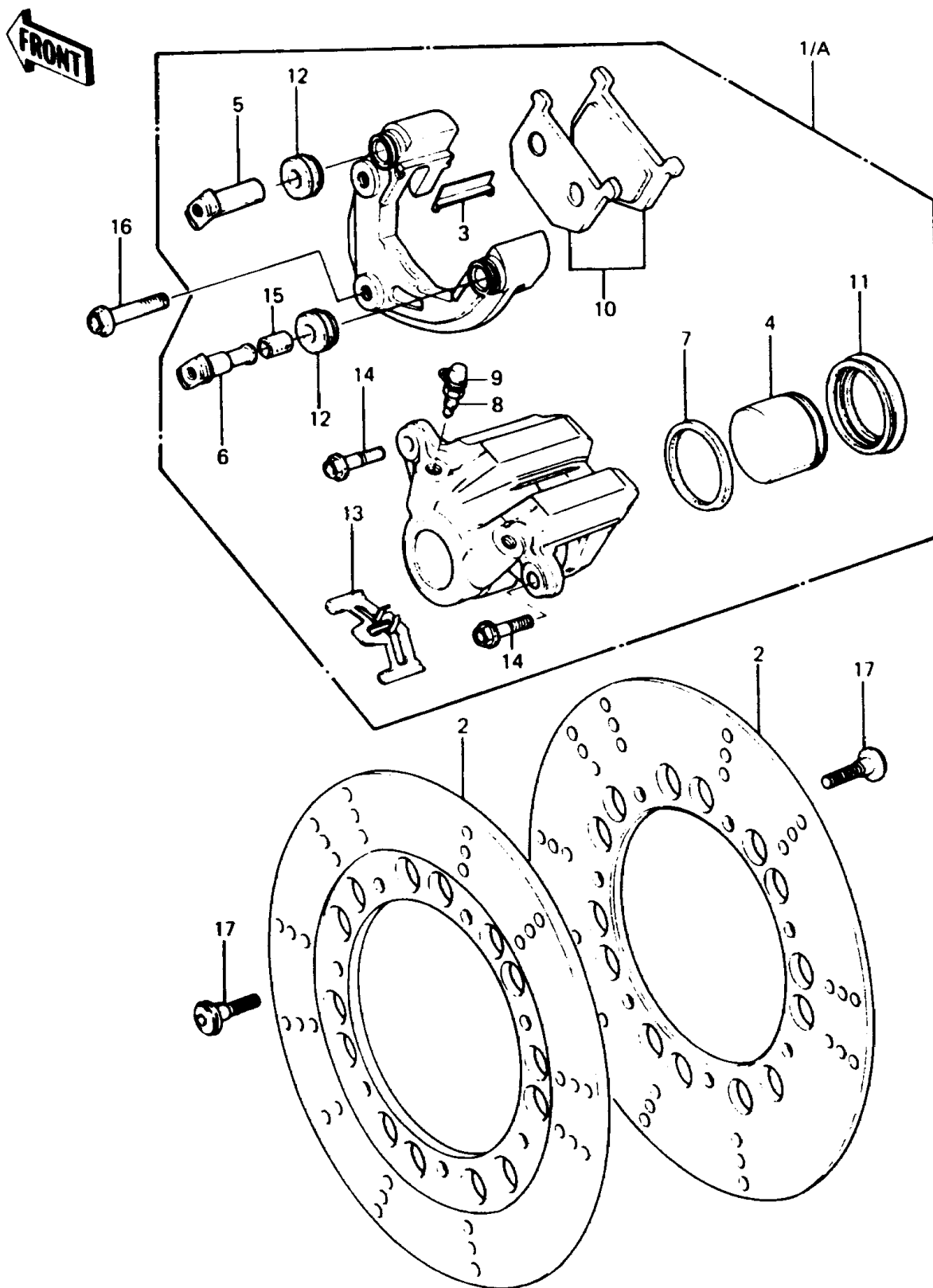


## 1987 PARTS DIAGRAM

Front Brake



## 1987 PARTS LIST

Front Brake

ITEM NAME	PART NUMBER	QUANTITY
PAD-ASSY-BRAKE (Ref # 10)	43082-1021	1
BOOT,PISTON (Ref # 11)	49006-1043	1
BOOT,SHAFT (Ref # 12)	49006-1044	1
SPRING,PAD (Ref # 13)	92081-1229	1
BOLT,FLANGED,8X25,BLACK (Ref # 14)	92001-1510	1
BUSHING,7.8X11X15.7 (Ref # 15)	92028-1090	1
BOLT,FLANGED,10X41 (Ref # 16)	92001-1355	1
BOLT,DISC PLATE,8X30 (Ref # 17)	92001-1951	1
CALIPER-ASSY,FR,RH (Ref # 1A)	43041-1046	1
CALIPER-ASSY,FR,LH (Ref # 1)	43041-1045	1
DISC,FR (Ref # 2)	41080-1047	1
GUIDE,PAD (Ref # 3)	13070-1026	1
PISTON-COMP-BRAKE (Ref # 4)	43020-1017	1
SHAFT-CALIPER (Ref # 5)	43045-1007	1
SHAFT-CALIPER (Ref # 6)	43045-1008	1
RING,PISTON SEAL (Ref # 7)	43049-002	1
BREATHER (Ref # 8)	43056-003	1
CAP-BREATHER (Ref # 9)	43057-003	1