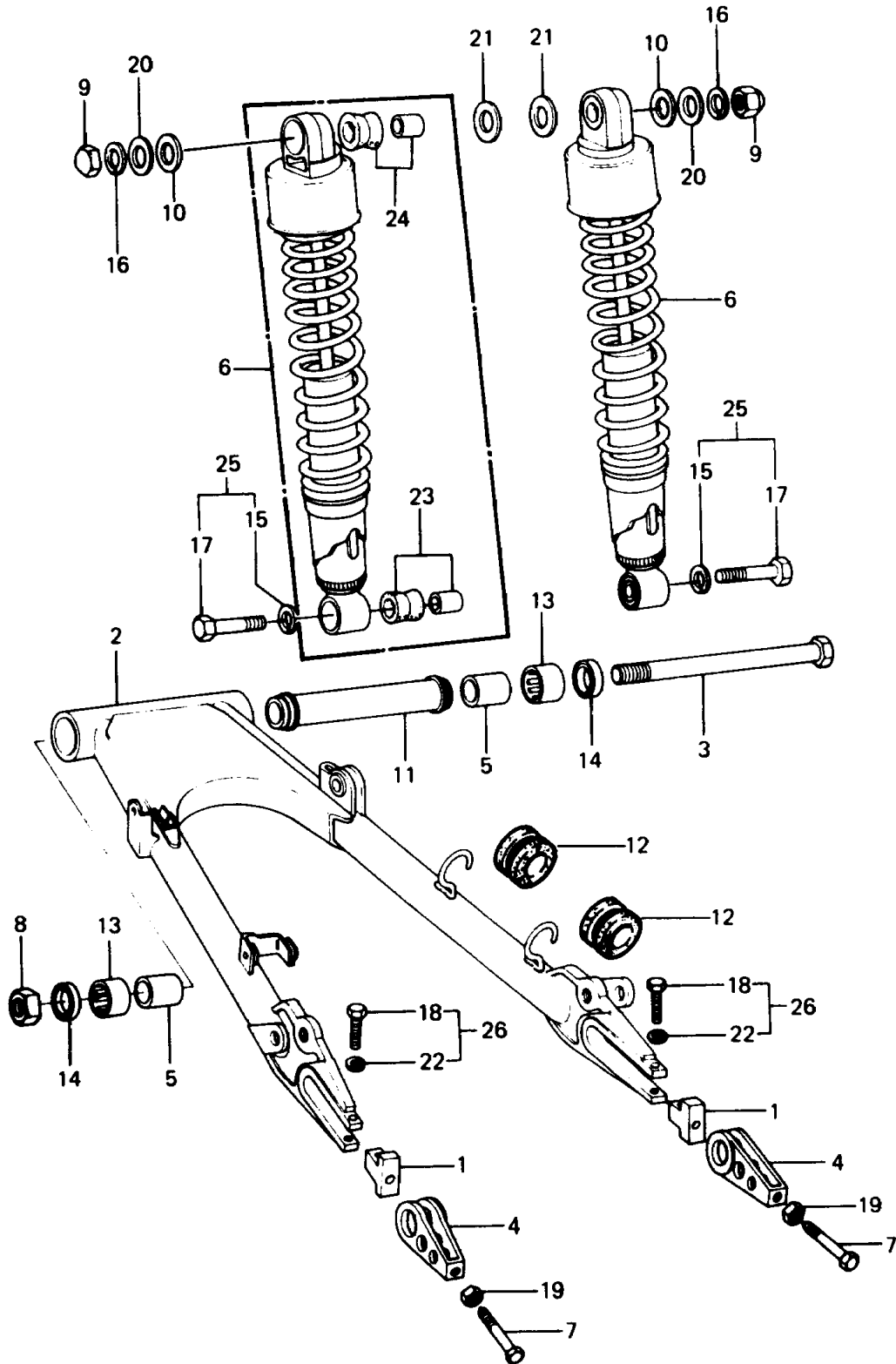


1987 PARTS DIAGRAM

Swing Arm/Shock Absorber



1987 PARTS LIST

Swing Arm/Shock Absorber

ITEM NAME	PART NUMBER	QUANTITY
WASHER,12.4X28X2.3 (Ref # 10)	92022-1239	1
COLLAR,SWING ARM (Ref # 11)	92027-1561	1
GROMMET,HOSE CLAMP (Ref # 12)	43064-007	1
BEARING-NEEDLE,BHTM2530-1 (Ref # 13)	92046-1035	1
SEAL-OIL,MH25334 (Ref # 14)	92049-1060	1
WASHER-SPRING,10MM (Ref # 15)	461F1000	1
WASHER-SPRING,12MM (Ref # 16)	461F1200	1
BOLT-SMALL-FINE,10X35 (Ref # 17)	113N1035	1
BOLT-SMALL,8X40 (Ref # 18)	114G0840	1
NUT-HEX-FINE,10MM (Ref # 19)	315B1000	1
WASHER-PLAIN-SMALL,12MM (Ref # 20)	410B1200	1
WASHER-PLAIN-SMALL,14MM (Ref # 21)	410B1400	1
WASHER-SPRING,8MM (Ref # 22)	461F0800	1
DAMPER,SHOCKABSORBER,LWR (Ref # 23)	45017-019	1
DAMPER,SHOCKABSORBER (Ref # 24)	92075-1141	1
BOLT-FINE-WS (Ref # 25)	160N1035	1
BOLT-UPSET-WS-SMALL (Ref # 26)	183G0840	1
STOPPER,CHAIN ADJUSTER (Ref # 1)	33044-001	1
ARM-COMP-SWING (Ref # 2)	33001-4006	1
SHAFT-SWING ARM (Ref # 3)	33032-036	1
ADJUSTER-CHAIN (Ref # 4)	33040-066	1
SLEEVE,SWING ARM (Ref # 5)	42036-1040	1
SHOCKABSORBER,RR (Ref # 6)	45014-1174	1
BOLT,10X50 (Ref # 7)	92001-143	1
NUT,LOCK,16MM (Ref # 8)	92019-012	1
NUT,CAP,12MM (Ref # 9)	92020-014	1