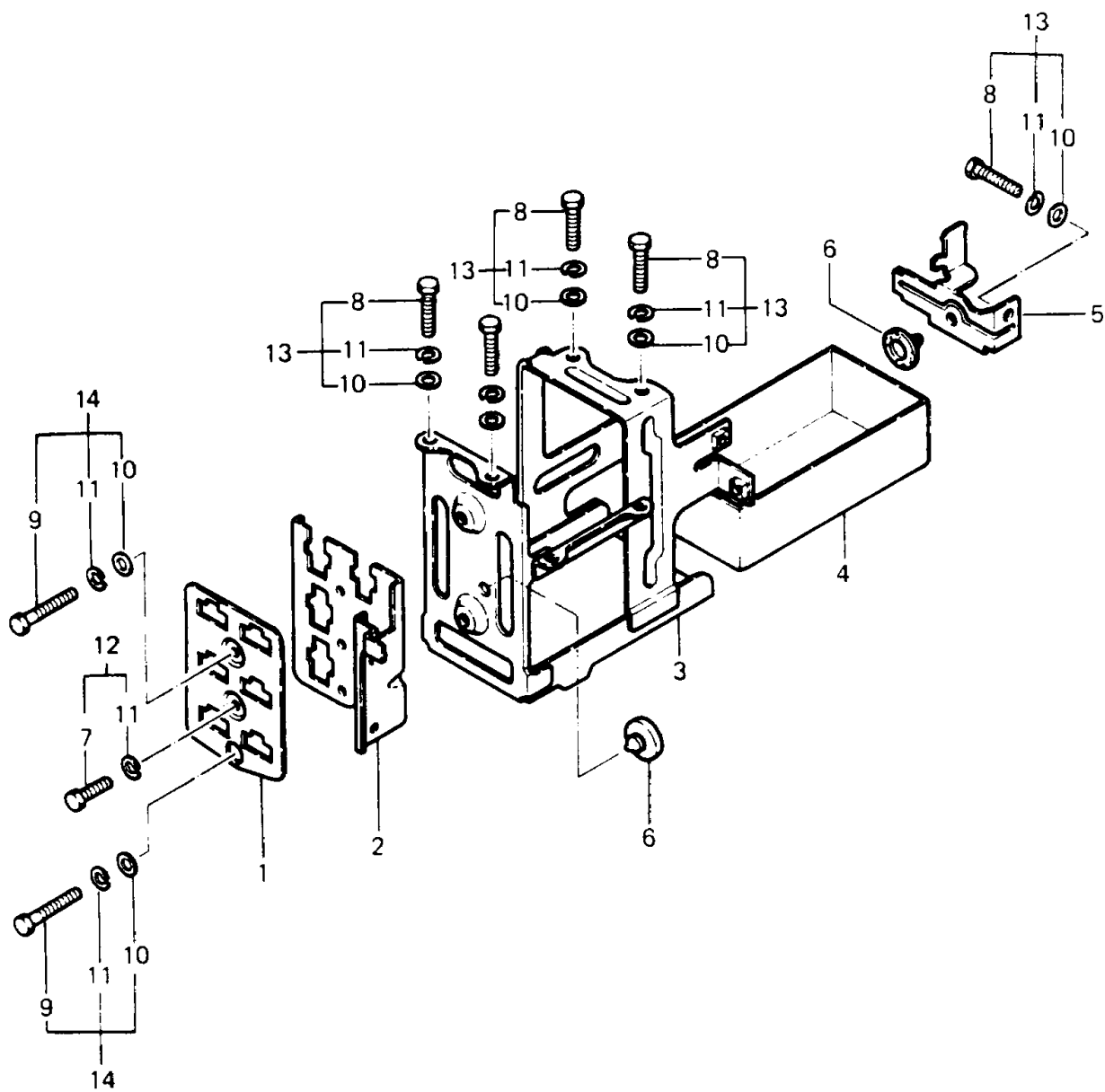


1987 PARTS DIAGRAM

Battery Case



1987 PARTS LIST

Battery Case

ITEM NAME	PART NUMBER	QUANTITY
WASHER-PLAIN,6MM (Ref # 10)	411B0600	1
WASHER-SPRING,6MM (Ref # 11)	461F0600	1
BOLT-UPSET-WS (Ref # 12)	180B0610	1
BOLT-UPSET-WSP (Ref # 13)	187B0614	1
BOLT-UPSET-WSP (Ref # 14)	187B0622	1
BRACKET,COUPLER (Ref # 1)	11034-1918	1
BRACKET-A,COUPLER (Ref # 2)	11036-1783	1
CASE-BATTERY (Ref # 3)	32097-1033	1
CASE-BATTERY,BOTTOM (Ref # 4)	32097-1034	1
BAND,BATTERY CASE (Ref # 5)	92072-1213	1
DAMPER,RUBBER (Ref # 6)	92075-078	1
BOLT,6X10 (Ref # 7)	110B0610	1
BOLT,6X14 (Ref # 8)	110B0614	1
BOLT,6X22 (Ref # 9)	110B0622	1