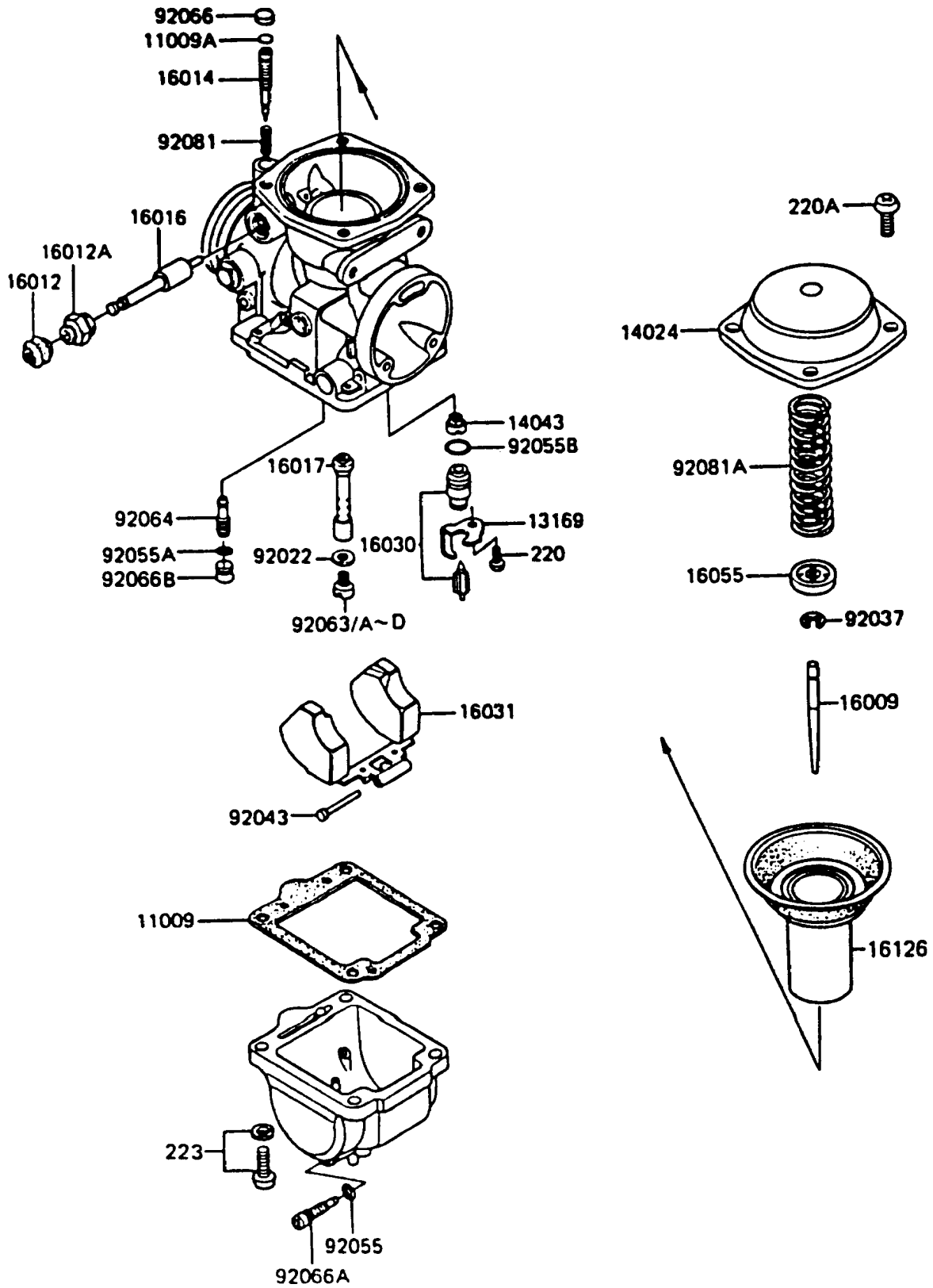


1987 PARTS DIAGRAM

Carburetor Parts



1987 PARTS LIST

Carburetor Parts

| ITEM NAME | PART NUMBER | QUANTITY |
|--|-------------|----------|
| GASKET,FLOAT CHAMBER (Ref # 11009) | 11009-1241 | 1 |
| GASKET,"O"RING (Ref # 11009A) | 16038-022 | 1 |
| PLATE,FLOAT VALVE (Ref # 13169) | 13169-1482 | 1 |
| TOP-CHAMBER,MIXING (Ref # 14024) | 14025-1395 | 1 |
| FILTER,FLOAT VALVE (Ref # 14043) | 14043-1010 | 1 |
| NEEDLE-JET,5GN45 (Ref # 16009) | 16009-1285 | 1 |
| CAP-STARTER PLUNGER,RUBBER (Ref # 16012) | 16012-1010 | 1 |
| CAP-STARTER PLUNGER (Ref # 16012A) | 16012-1011 | 1 |
| SCREW-PILOT AIR (Ref # 16014) | 16014-1014 | 1 |
| PLUNGER (Ref # 16016) | 16016-1019 | 1 |
| JET-NEEDLE,#AY-1 (Ref # 16017) | 16017-1086 | 1 |
| VALVE-FLOAT,2.5 (Ref # 16030) | 16030-1016 | 1 |
| FLOAT (Ref # 16031) | 16031-1013 | 1 |
| PLATE,NEEDLE (Ref # 16055) | 16055-010 | 1 |
| VALVE,DIAPHRAGM (Ref # 16126) | 16126-1149 | 1 |
| WASHER,MAIN JET (Ref # 92022) | 16034-001 | 1 |
| CLAMP,E-TYPE (Ref # 92037) | 16008-014 | 1 |
| PIN,FLOAT (Ref # 92043) | 16032-008 | 1 |
| RING-O (Ref # 92055) | 92055-044 | 1 |
| RING-O,CHECK VALVE (Ref # 92055A) | 92055-1059 | 1 |
| RING-O (Ref # 92055B) | 92055-1105 | 1 |
| JET-MAIN,#A127.5 (Ref # 92063) | 92063-1100 | 1 |
| JET-MAIN,#A122.5 (Ref # 92063A) | 92063-1101 | 1 |
| JET-MAIN,#A125 (Ref # 92063B) | 92063-1102 | 1 |
| JET-MAIN,#A130 (Ref # 92063C) | 92063-1103 | 1 |
| JET-MAIN,#A132.5 (Ref # 92063D) | 92063-1104 | 1 |
| JET-PILOT,#A37.5 (Ref # 92064) | 92064-1036 | 1 |
| PLUG,PILOT AIR SCREW,6.9X2 (Ref # 92066) | 92066-1051 | 1 |
| PLUG,DRAIN (Ref # 92066A) | 92066-1064 | 1 |

1987 PARTS LIST

Carburetor Parts

| ITEM NAME | PART NUMBER | QUANTITY |
|---------------------------------------|-------------|----------|
| PLUG,PILOT JET (Ref # 92066B) | 92066-1087 | 1 |
| SPRING,PILOT SCREW (Ref # 92081) | 16022-016 | 1 |
| SPRING,DIAPHRAGM VALVE (Ref # 92081A) | 92081-1363 | 1 |
| SCREW-PAN-CROS,4X6 (Ref # 220) | 220B0406 | 1 |
| SCREW-PAN-CROS,5X8 (Ref # 220A) | 220B0508 | 1 |
| SCREW-PAN-WS-CROS (Ref # 223) | 223B0516 | 1 |