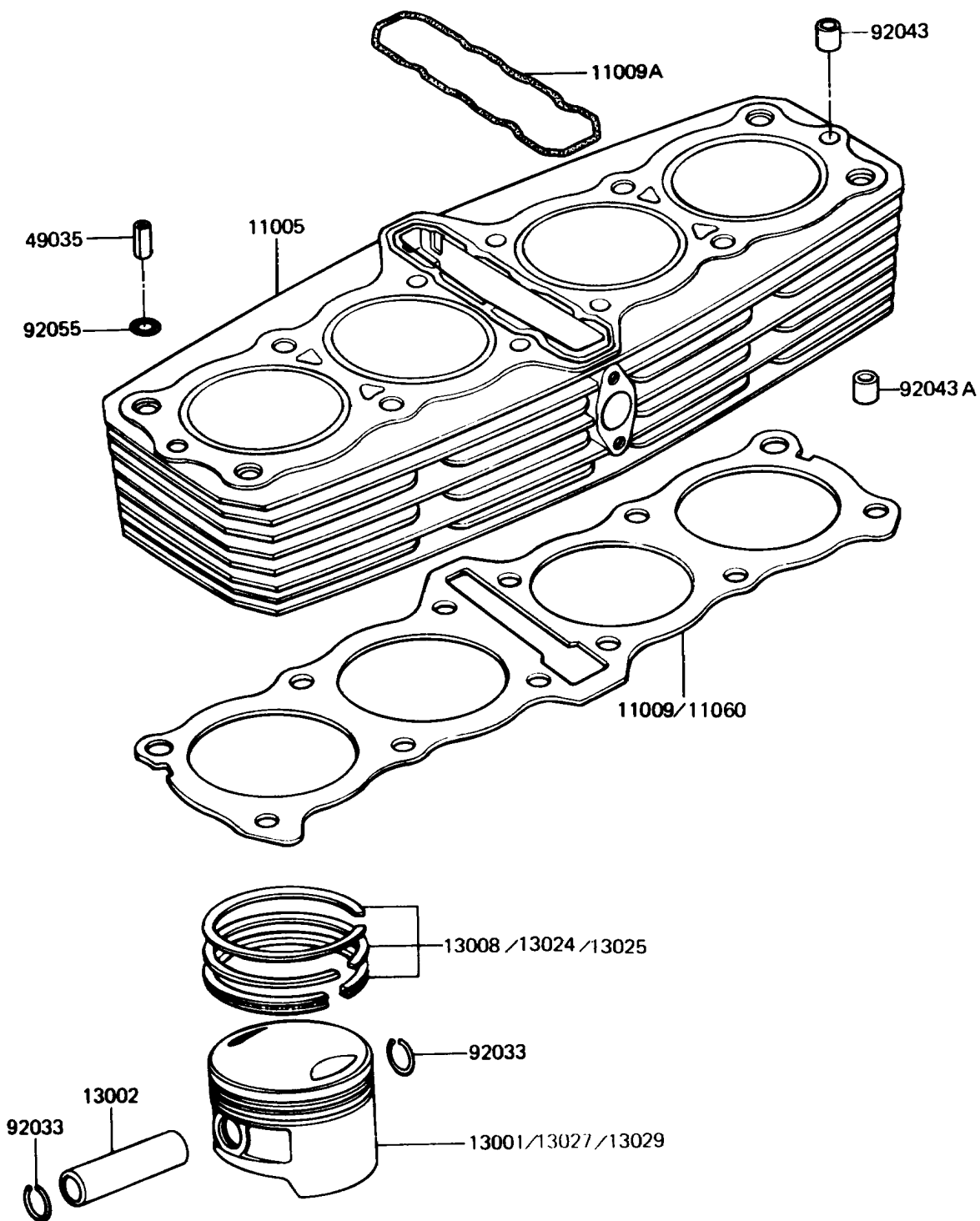


1987 PARTS DIAGRAM

Cylinder/Piston

E1120-0041



1987 PARTS LIST

Cylinder/Piston

ITEM NAME	PART NUMBER	QUANTITY
CYLINDER-ENGINE,SILVER (Ref # 11005)	11005-1327	1
GASKET,CYLINDER BASE (Ref # 11009)	11009-1207	1
GASKET,CYLINDER (Ref # 11009A)	11009-1208	1
PISTON-ENGINE,STD (Ref # 13001)	13001-1119	1
PIN-PISTON (Ref # 13002)	13002-1013	1
RING-SET-PISTON,STD (Ref # 13008)	13008-5056	1
RING-SET-PISTON LL,O/S 1.00 (Ref # 13024)	13024-5024	1
RING-SET-PISTON L,O/S 0.50 (Ref # 13025)	13025-5024	1
PISTON-ENGINE LL,O/S 1.00 (Ref # 13027)	13027-1056	1
PISTON-ENGINE L,O/S 0.50 (Ref # 13029)	13029-1058	1
PIN-SPRING (Ref # 49035)	49035-1051	1
RING-SNAP (Ref # 92033)	92033-1054	1
PIN,DOWEL,10X14 (Ref # 92043)	92043-1037	1
PIN,11X14X12.3 (Ref # 92043A)	92043-1266	1
RING-O,OD=18.5 (Ref # 92055)	92055-1148	1