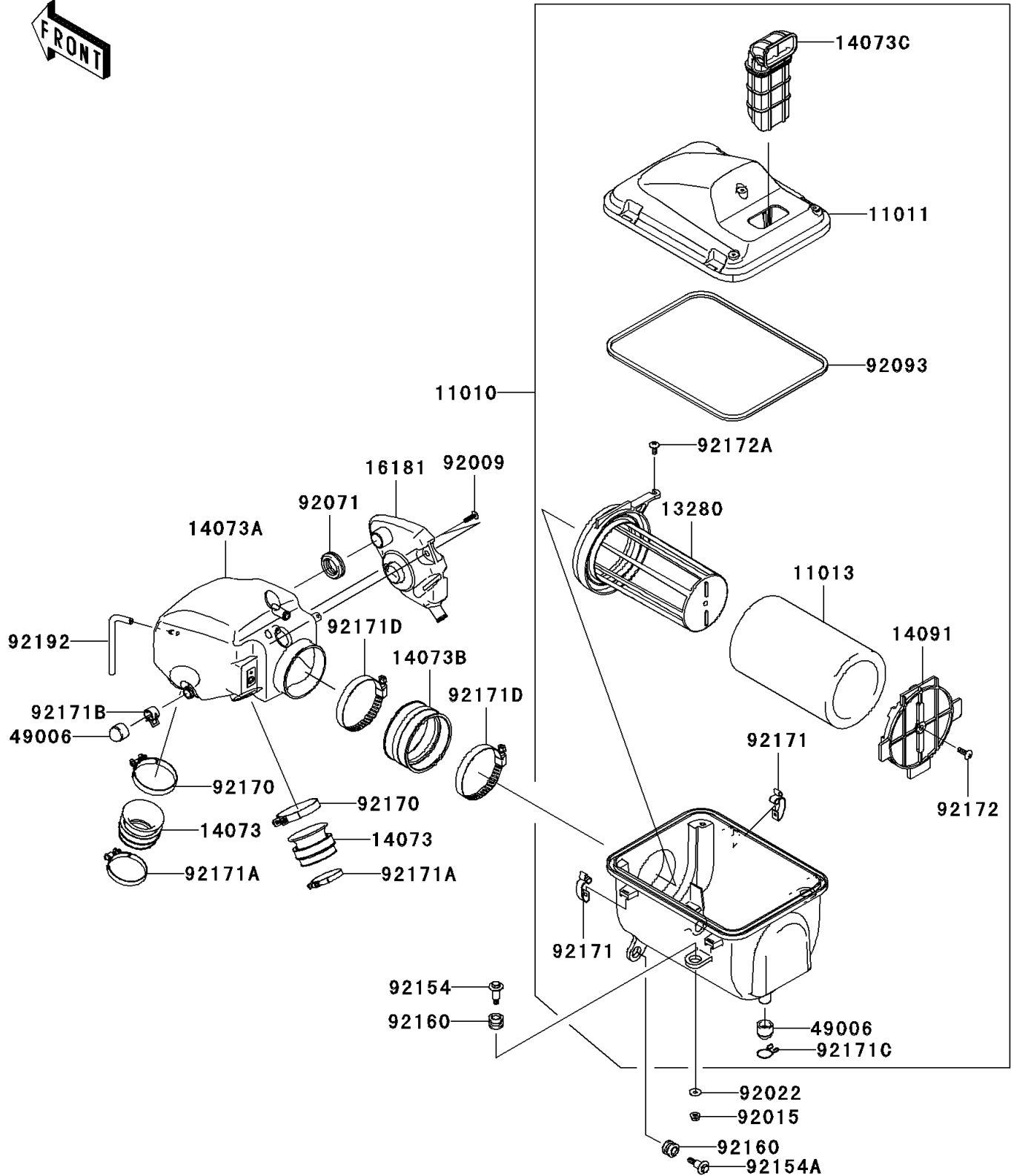


2009 Teryx® 750 4x4 NRA Outdoors™ PARTS DIAGRAM

Air Cleaner

E1130



2009 Teryx® 750 4x4 NRA Outdoors™ PARTS LIST

Air Cleaner

| ITEM NAME | PART NUMBER | QUANTITY |
|------------------------------------|-------------|----------|
| FILTER-ASSY-AIR (Ref # 11010) | 11010-0184 | 1 |
| CASE-AIR FILTER,UPP (Ref # 11011) | 11011-0140 | 1 |
| ELEMENT-AIR FILTER (Ref # 11013) | 11013-0018 | 1 |
| HOLDER (Ref # 13280) | 13280-0267 | 1 |
| DUCT (Ref # 14073) | 14073-0160 | 1 |
| DUCT,A/C-THROBO (Ref # 14073A) | 14073-0257 | 1 |
| DUCT,JOINT,A/C SIDE (Ref # 14073B) | 14073-0258 | 1 |
| DUCT,AIR INLET (Ref # 14073C) | 14073-0261 | 1 |
| COVER (Ref # 14091) | 14091-0935 | 1 |
| TANK-RESONATOR (Ref # 16181) | 16181-0015 | 1 |
| BOOT,DRAIN (Ref # 49006) | 49006-3718 | 1 |
| SCREW,TAPPING,5X20 (Ref # 92009) | 92009-1993 | 1 |
| NUT,FLANGED,6MM (Ref # 92015) | 92015-1367 | 1 |
| WASHER,6.5X16X1.0 (Ref # 92022) | 92022-1093 | 1 |
| GROMMET,AIR FILTER (Ref # 92071) | 92071-1013 | 1 |
| SEAL (Ref # 92093) | 92093-0083 | 1 |
| BOLT,FLANGED,6X28.7 (Ref # 92154) | 92154-0028 | 1 |
| BOLT,FLANGED,6X27.5 (Ref # 92154A) | 92154-0029 | 1 |
| DAMPER (Ref # 92160) | 92160-1594 | 1 |
| CLAMP (Ref # 92170) | 92170-1448 | 1 |
| CLAMP (Ref # 92171) | 92171-0225 | 1 |
| CLAMP (Ref # 92171A) | 92171-0722 | 1 |
| CLAMP (Ref # 92171B) | 92171-1277 | 1 |
| CLAMP,BOOT (Ref # 92171C) | 92171-3711 | 1 |
| CLAMP (Ref # 92171D) | 92171-3716 | 1 |
| SCREW,6X18 (Ref # 92172) | 92172-0130 | 1 |
| SCREW,6X14 (Ref # 92172A) | 92172-0131 | 1 |
| TUBE,4X8X127 (Ref # 92192) | 92192-0763 | 1 |