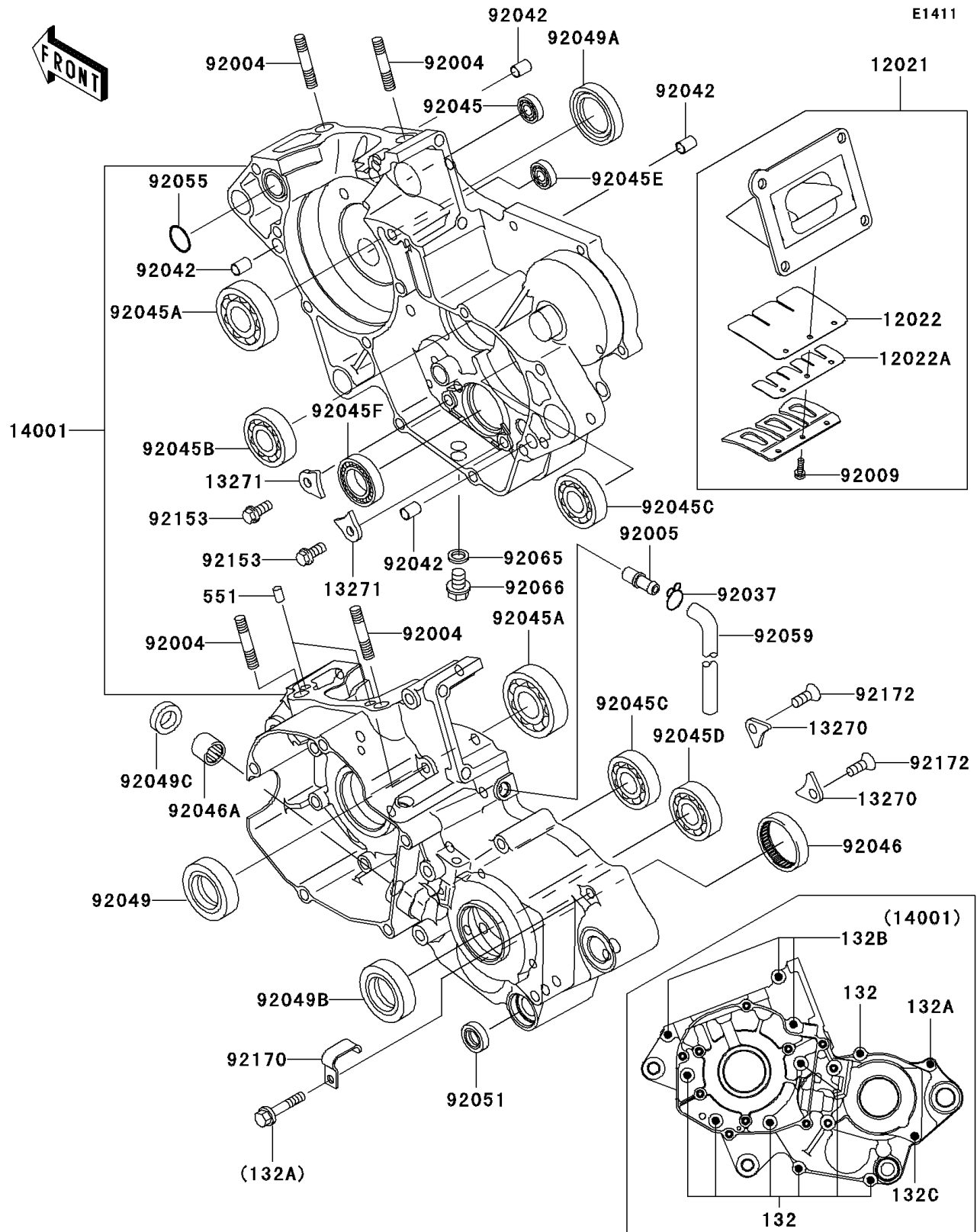


2005 KX™125 PARTS DIAGRAM

Crankcase



2005 KX™125 PARTS LIST

Crankcase

ITEM NAME	PART NUMBER	QUANTITY
BOLT-FLANGED-SMALL (Ref # 132)	132G0640	1
BOLT-FLANGED-SMALL (Ref # 132A)	132G0650	1
BOLT-FLANGED-SMALL (Ref # 132B)	132G0655	1
BOLT-FLANGED-SMALL (Ref # 132C)	132G0675	1
PIN-DOWEL,6X12 (Ref # 551)	551A0612	1
VALVE-ASSY-REED (Ref # 12021)	12021-0012	1
VALVE-REED (Ref # 12022)	12022-0002	1
VALVE-REED (Ref # 12022A)	12022-0003	1
PLATE (Ref # 13270)	13270-1638	1
PLATE (Ref # 13271)	13271-0197	1
SET-CRANKCASE (Ref # 14001)	14001-0029	1
STUD,8X28.5 (Ref # 92004)	92004-1252	1
FITTING,BREATHER (Ref # 92005)	92005-1127	1
SCREW,REED VALVE (Ref # 92009)	92009-1014	1
CLAMP (Ref # 92037)	92037-1610	1
PIN,DOWEL,6.3X8X14 (Ref # 92042)	92042-007	1
BEARING-BALL,#628 (Ref # 92045)	92045-1123	1
BEARING-BALL (Ref # 92045A)	92045-1209	1
BEARING-BALL,6204X15C (Ref # 92045B)	92045-1298	1
BEARING-BALL,SC03A53C3 (Ref # 92045C)	92045-1334	1
BEARING-BALL,SX04A81C3 (Ref # 92045D)	92045-1335	1
BEARING-BALL,626BUMC3 (Ref # 92045E)	92045-1345	1
BEARING-BALL,6805JRZ (Ref # 92045F)	92045-1432	1
BEARING-NEEDLE,7E-HKS33X38X8 (Ref # 92046)	92046-1221	1
BEARING-NEEDLE,HK1015 (Ref # 92046A)	92046-1300	1
SEAL-OIL (Ref # 92049)	92049-1300	1
SEAL-OIL (Ref # 92049A)	92049-1301	1
SEAL-OIL (Ref # 92049B)	92049-1413	1
SEAL-OIL,BG1408F0 (Ref # 92049C)	92049-1414	1

2005 KX™125 PARTS LIST

Crankcase

ITEM NAME	PART NUMBER	QUANTITY
SEAL-OIL,TB13225.5 (Ref # 92051)	92051-005	1
RING-O (Ref # 92055)	92055-086	1
TUBE,6X9X420 (Ref # 92059)	92059-1946	1
GASKET,10.5X16X1 (Ref # 92065)	92065-058	1
PLUG,DRAIN (Ref # 92066)	92066-1437	1
BOLT,6X14 (Ref # 92153)	92153-0542	1
CLAMP (Ref # 92170)	92170-1555	1
SCREW,6X8 (Ref # 92172)	92172-0086	1