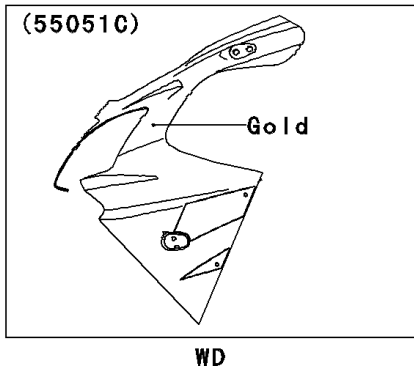
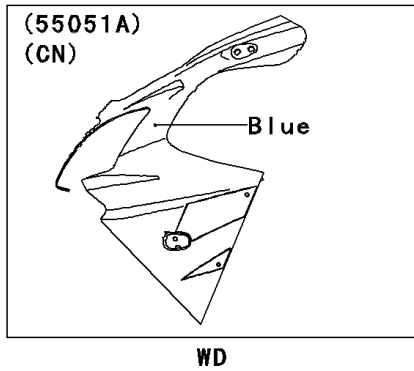
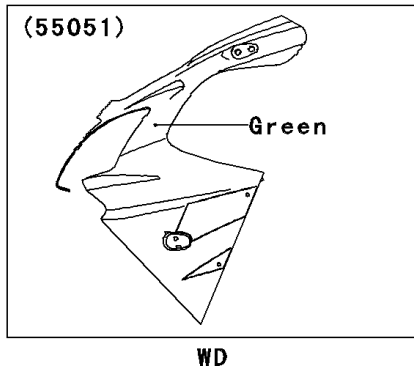
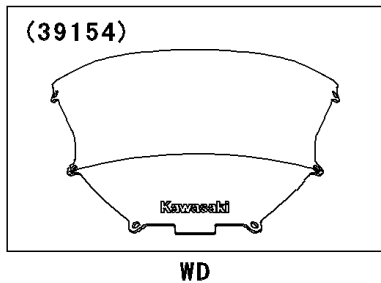
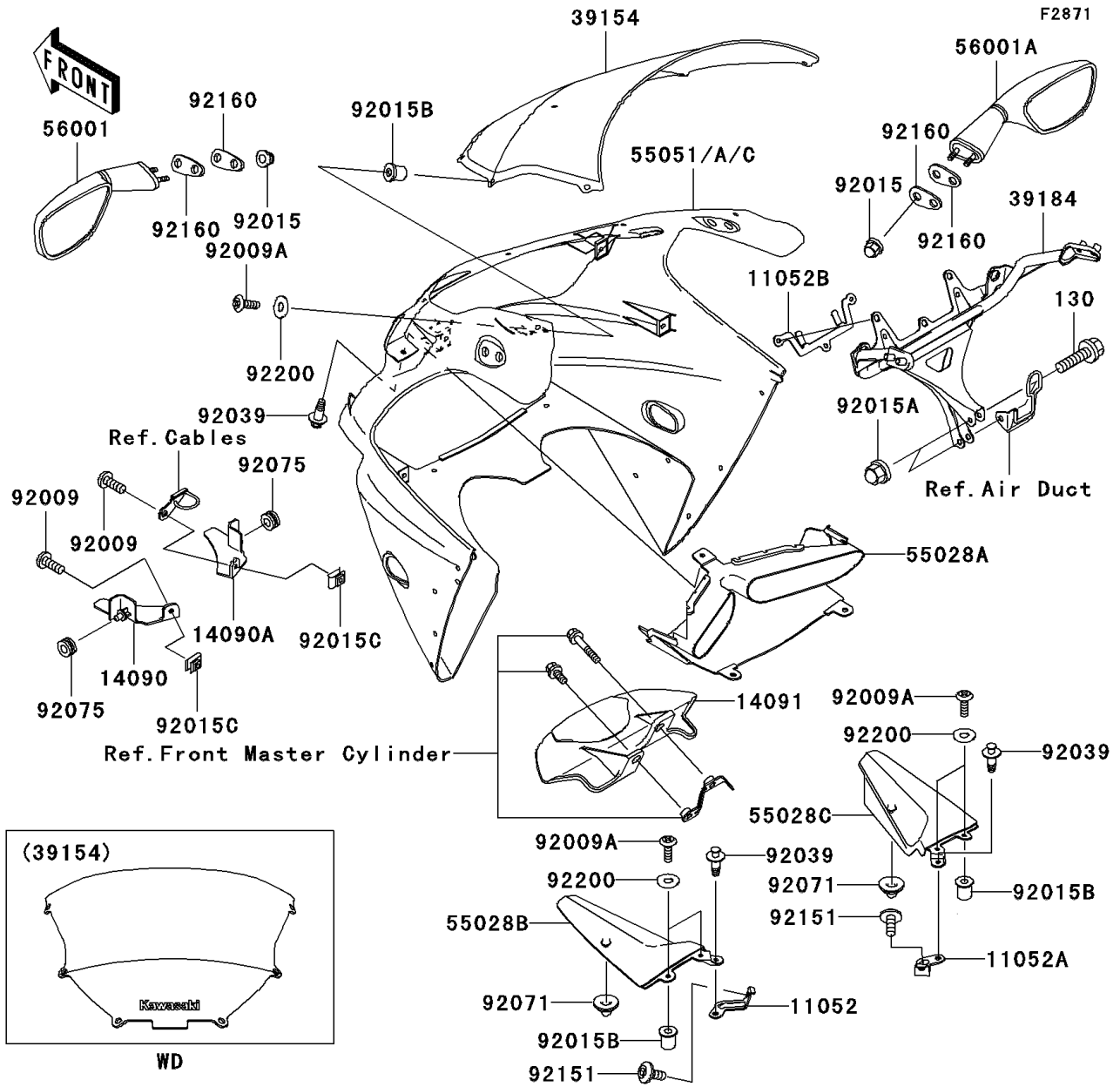


2002 NINJA® ZX™-9R PARTS DIAGRAM

Cowling(ZX900-F1)



2002 NINJA® ZX™-9R PARTS LIST

Cowling(ZX900-F1)

ITEM NAME	PART NUMBER	QUANTITY
BOLT-FLANGED,8X30 (Ref # 130)	130J0830	1
BRACKET,UPP COWLING,LH (Ref # 11052)	11052-1644	1
BRACKET,UPP COWLING,RH (Ref # 11052A)	11052-1645	1
BRACKET,HEAD LAMP RELAY (Ref # 11052B)	11052-1822	1
COVER,RADIATOR,LH (Ref # 14090)	14090-1950	1
COVER,RADIATOR,RH (Ref # 14090A)	14090-1951	1
COVER,UNDER BRACKET (Ref # 14091)	14091-1271	1
WINDSHIELD (Ref # 39154)	39154-5016	1
BRACKET-ASSY,UPP COWLING (Ref # 39184)	39184-1088	1
COWLING,DUCT,M.F.C.GRAY (Ref # 55028A)	55028-1387-3L	1
COWLING,INNER,LH (Ref # 55028B)	55028-1388	1
COWLING,INNER,RH (Ref # 55028C)	55028-1389	1
COWLING-ASSY,UPP,L.GREEN (Ref # 55051)	55051-5118-7F	1
COWLING-ASSY,UPP,C.GOLD (Ref # 55051C)	55051-5130-217	1
MIRROR-ASSY,LH (Ref # 56001)	56001-1483	1
MIRROR-ASSY,RH (Ref # 56001A)	56001-1484	1
SCREW,TAPPING,6X16 (Ref # 92009)	92009-1436	1
SCREW,5X16 (Ref # 92009A)	92009-1909	1
NUT,CAP,6MM,BLACK (Ref # 92015)	92015-1170	1
NUT,CAP,8MM,BLACK (Ref # 92015A)	92015-1174	1
NUT,WELL,5MM (Ref # 92015B)	92015-1757	1
NUT,6MM (Ref # 92015C)	92015-1758	1
RIVET (Ref # 92039)	92039-1227	1
GROMMET (Ref # 92071)	92071-1222	1
DAMPER (Ref # 92075)	92075-1912	1
BOLT,SOCKET,6X14 (Ref # 92151)	92151-1654	1
DAMPER,MIRROR (Ref # 92160)	92160-1089	1
WASHER,NYLON,5.3X11.5X0.5 (Ref # 92200)	92200-1480	1
COWLING-ASSY,UPP,P.R.BLUE (Ref # 55051A)	55051-5122-32	1