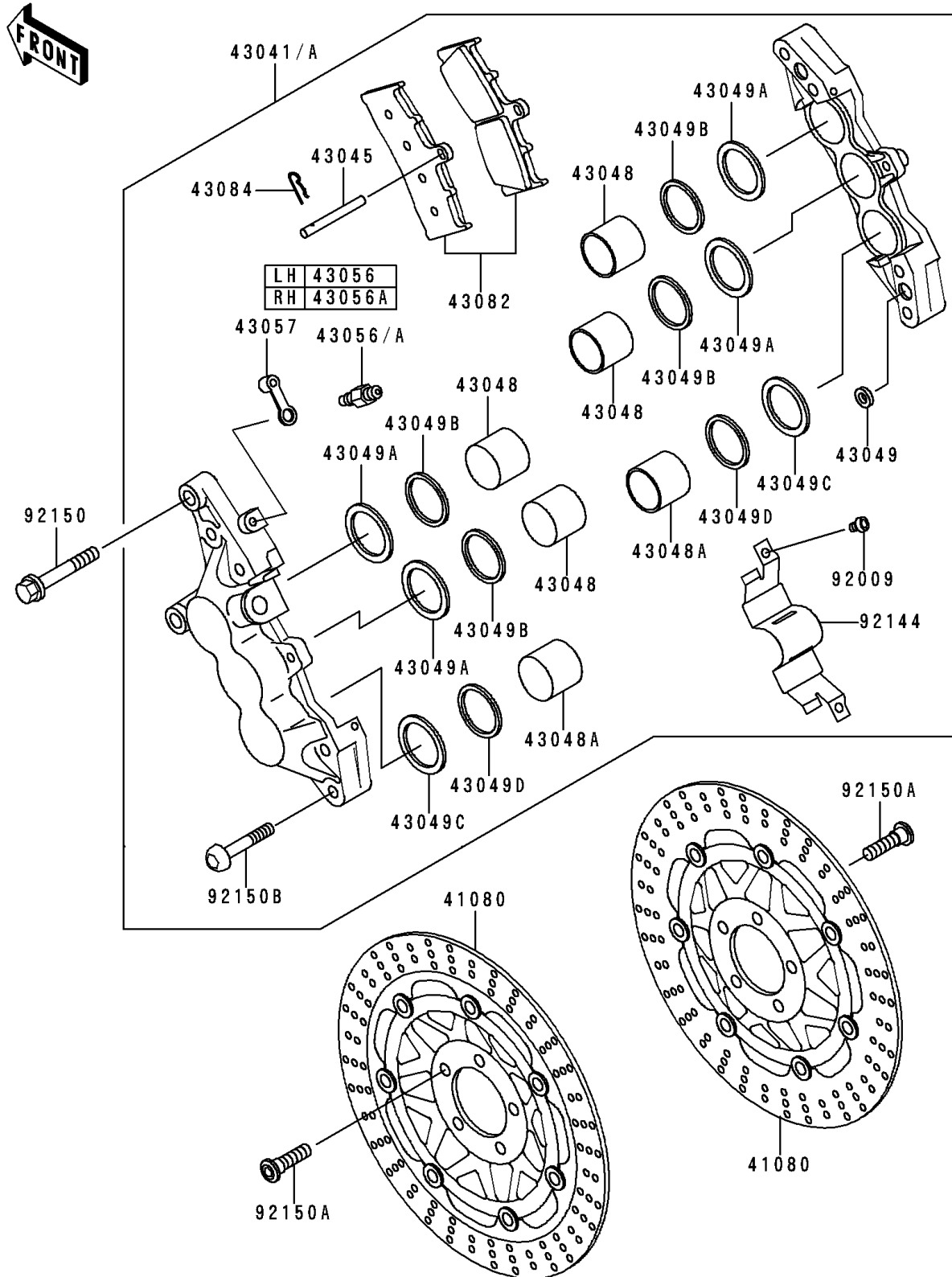


1997 NINJA® ZX™-9R PARTS DIAGRAM

Front Brake

F2292



1997 NINJA® ZX™-9R PARTS LIST

Front Brake

ITEM NAME	PART NUMBER	QUANTITY
DISC,FR,GRAY (Ref # 41080)	41080-1408-FF	1
CALIPER-ASSY,FR,LH (Ref # 43041)	43041-1589	1
CALIPER-ASSY,FR,RH (Ref # 43041A)	43041-1590	1
SHAFT-CALIPER (Ref # 43045)	43045-007	1
PISTON-CALIPER (Ref # 43048)	43048-1078	1
PISTON-CALIPER (Ref # 43048A)	43048-1079	1
PACKING,SEAL,6.5X11.5X2.2 (Ref # 43049)	43049-1004	1
PACKING,PISTON SEAL (Ref # 43049A)	43049-1054	1
PACKING,PISTON (Ref # 43049B)	43049-1055	1
PACKING,PISTON (Ref # 43049C)	43049-1058	1
PACKING,PISTON (Ref # 43049D)	43049-1059	1
BREATHER (Ref # 43056)	43056-003	1
BREATHER-BRAKE (Ref # 43056A)	43056-1056	1
CAP-BREATHER (Ref # 43057)	43057-003	1
PAD-ASSY-BRAKE (Ref # 43082)	43082-1179	1
CLAMP,PAD (Ref # 43084)	43084-003	1
BOLT,SOCKET,4X6 (Ref # 92009)	92009-1758	1
SPRING (Ref # 92144)	92144-1903	1
BOLT,FLANGED,10X38 (Ref # 92150)	92150-1297	1
BOLT,DISC PLATE,8X30 (Ref # 92150A)	92150-1728	1
BOLT,SOCKET,8X40 (Ref # 92150B)	92150-1973	1