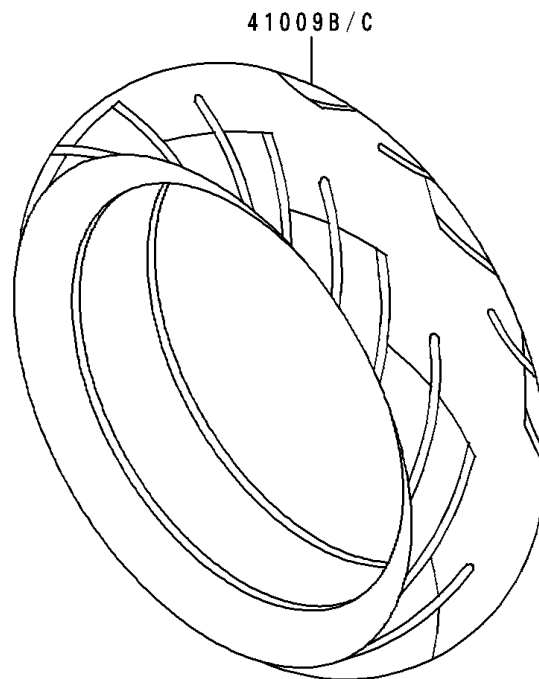
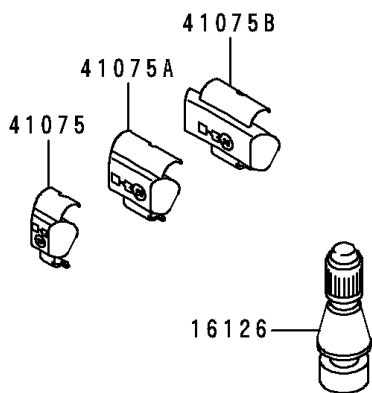
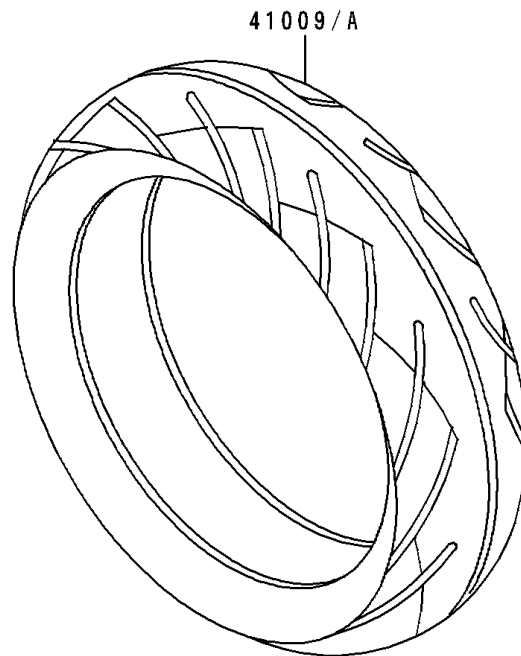
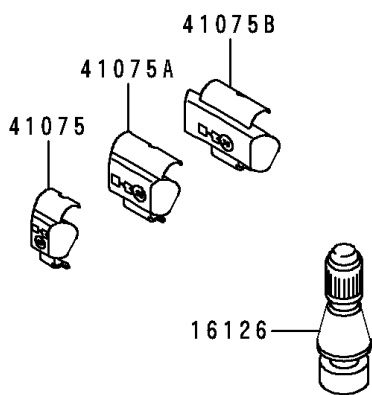


## 1997 NINJA® ZX™-9R PARTS DIAGRAM

Tires

F2210



## 1997 NINJA® ZX™-9R PARTS LIST

Tires

ITEM NAME	PART NUMBER	QUANTITY
VALVE,TIRE (Ref # 16126)	16126-1140	1
TIRE,FR,120/70ZR17,BT-50F(BS) (Ref # 41009)	41009-1151	1
TIRE,FR,120/70ZR17,D204FU(D) (Ref # 41009A)	41009-1167	1
TIRE,RR,180/55ZR17,D204L(D) (Ref # 41009B)	41009-1168	1
TIRE,RR,(BS) (Ref # 41009C)	41009-1170	1
BALANCER-WHEEL,10G,SILVER (Ref # 41075)	41075-1014	1
BALANCER-WHEEL,20G,SILVER (Ref # 41075A)	41075-1015	1
BALANCER-WHEEL,30G,SILVER (Ref # 41075B)	41075-1016	1