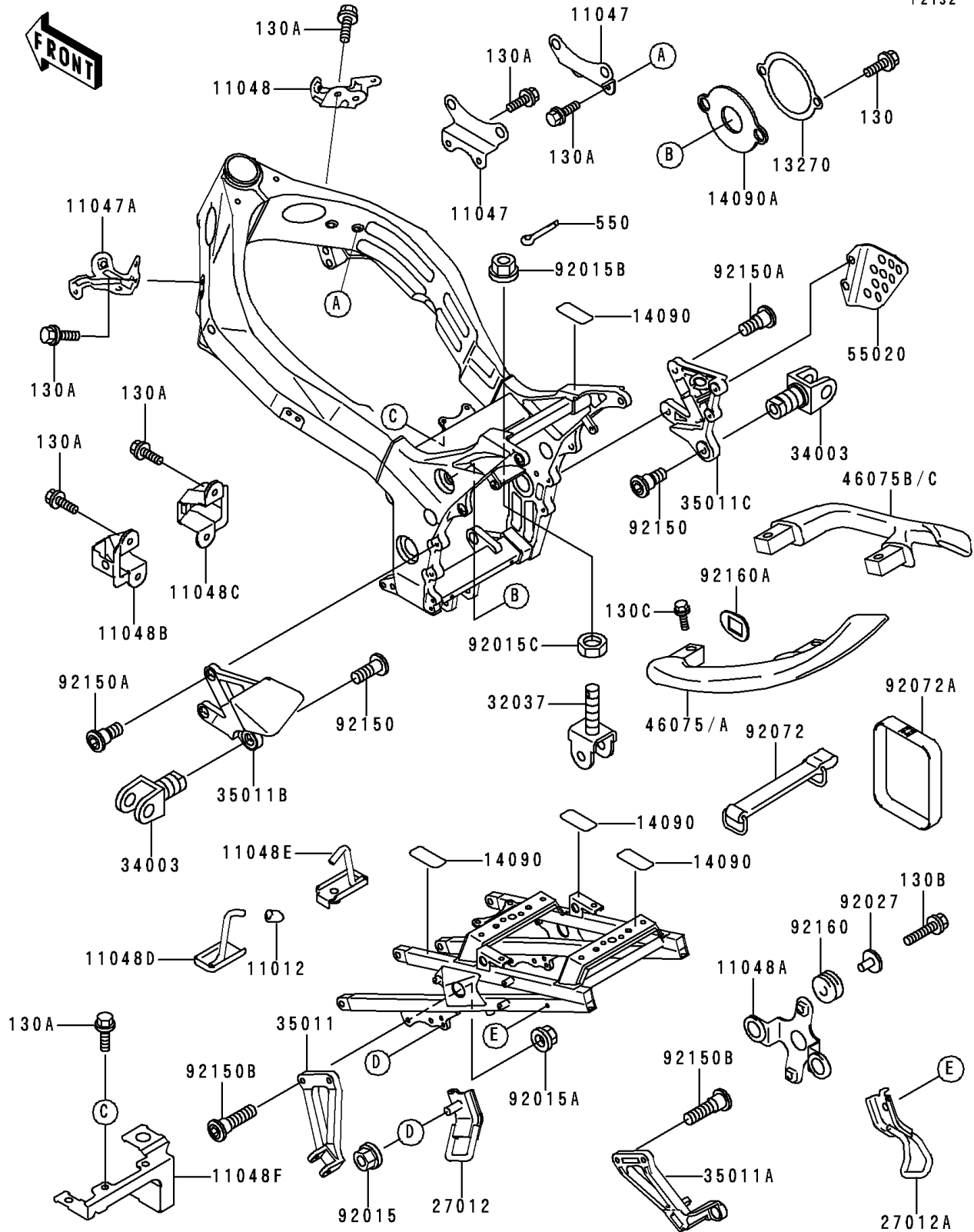


1997 NINJA® ZX™-9R PARTS DIAGRAM

Battery Case

F2132



1997 NINJA® ZX™-9R PARTS LIST

Battery Case

ITEM NAME	PART NUMBER	QUANTITY
BOLT-FLANGED (Ref # 130)	130J0610	1
BOLT-FLANGED,6X16,BLACK (Ref # 130A)	130J0616	1
CAP,BUNGEE CORD HOOK (Ref # 11012)	11012-1589	1
BRACKET,IGNITION COIL (Ref # 11047)	11047-1345	1
BRACKET,RADIATOR,LH (Ref # 11047A)	11047-1853	1
BRACKET,RADIATOR,RH (Ref # 11048)	11048-1357	1
BRACKET,IGNITER (Ref # 11048A)	11048-1683	1
BRACKET,LWR COWLING,LH (Ref # 11048B)	11048-1777	1
BRACKET,LWR COWLING,RH (Ref # 11048C)	11048-1780	1
BRACKET,HELMET HOOK,LH (Ref # 11048D)	11048-1793	1
BRACKET,HELMET HOOK,RH (Ref # 11048E)	11048-1795	1
BRACKET,FUEL PUMP&FILTER (Ref # 11048F)	11048-1796	1
PLATE,FUEL TAP KNOB (Ref # 13270)	13270-1171	1
COVER (Ref # 14090)	14090-1297	1
COVER,FUEL TAP KNOB (Ref # 14090A)	14090-1410	1
HOOK,BUNGEE CORD,FR (Ref # 27012)	27012-1474	1
HOOK,BUNGEE CORD,RR (Ref # 27012A)	27012-1475	1
BRACKET-SHOCKABSORBER (Ref # 32037)	32037-1657	1
HOLDER-STEP (Ref # 34003)	34003-1327	1
STAY,RR,LH,G.GRAY (Ref # 35011)	35011-1667-GD	1
STAY,RR,RH,G.GRAY (Ref # 35011A)	35011-1668-GD	1
STAY,FR,LH,G.GRAY (Ref # 35011B)	35011-1699-GD	1
STAY,FR,RH,G.GRAY (Ref # 35011C)	35011-1700-GD	1
GRIP,RR,LH,F.RED (Ref # 46075)	46075-1126-B1	1
GRIP,RR,LH,P.A.WHITE (Ref # 46075A)	46075-1126-R1	1
GRIP,RR,RH,F.RED (Ref # 46075B)	46075-1127-B1	1
GRIP,RR,RH,P.A.WHITE (Ref # 46075C)	46075-1127-R1	1
GUARD,RR MASTER CYLINDER (Ref # 55020)	55020-1502	1
NUT,FLANGED,6MM (Ref # 92015)	92015-1367	1

1997 NINJA® ZX™-9R PARTS LIST

Battery Case

ITEM NAME	PART NUMBER	QUANTITY
NUT,FLANGED,8MM (Ref # 92015A)	92015-1406	1
NUT,FLANGED,16MM (Ref # 92015B)	92015-1881	1
NUT,16MM (Ref # 92015C)	92015-1953	1
COLLAR,L=14.1 (Ref # 92027)	92027-1920	1
BAND,BATTERY (Ref # 92072)	92072-1306	1
BAND,BATTERY,L=450 (Ref # 92072A)	92072-1309	1
BOLT,SOCKET,10X25 (Ref # 92150)	92150-1268	1
BOLT,SOCKET,8X20 (Ref # 92150A)	92150-1839	1
BOLT,SOCKET,8X30 (Ref # 92150B)	92150-1843	1
DAMPER (Ref # 92160)	92160-1162	1
DAMPER (Ref # 92160A)	92160-1768	1
BOLT-FLANGED,6X25 (Ref # 130B)	130J0625	1
BOLT-FLANGED,8X30 (Ref # 130C)	130J0830	1
PIN-COTTER,4.0X25 (Ref # 550)	550D4025	1