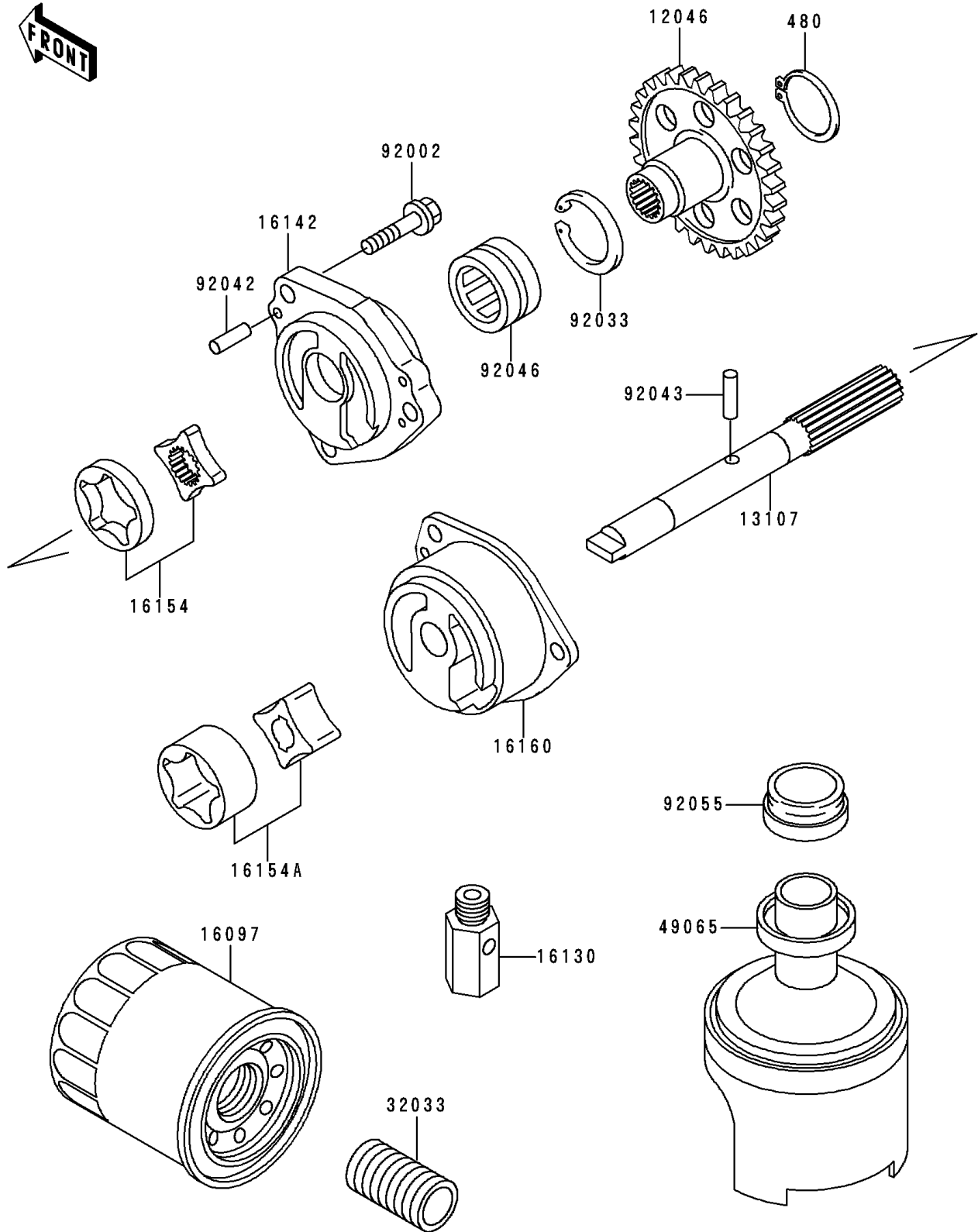


1997 NINJA® ZX™-9R PARTS DIAGRAM

Oil Pump/Oil Filter

E1710



1997 NINJA® ZX™-9R PARTS LIST

Oil Pump/Oil Filter

| ITEM NAME | PART NUMBER | QUANTITY |
|--------------------------------------|-------------|----------|
| CIRCLIP-TYPE-C,15MM (Ref # 480) | 480J1500 | 1 |
| SPROCKET,OIL PUMP,30T (Ref # 12046) | 12046-1123 | 1 |
| SHAFT,OIL PUMP (Ref # 13107) | 13107-1278 | 1 |
| FILTER-ASSY-OIL (Ref # 16097) | 16097-1063 | 1 |
| VALVE-ASSY-RELIEF (Ref # 16130) | 16130-1001 | 1 |
| COVER-PUMP (Ref # 16142) | 16142-1110 | 1 |
| ROTOR-PUMP (Ref # 16154) | 16154-1090 | 1 |
| ROTOR-PUMP (Ref # 16154A) | 16154-1107 | 1 |
| BODY,OIL PUMP (Ref # 16160) | 16160-1229 | 1 |
| PIPE,OIL FILTER (Ref # 32033) | 32033-1535 | 1 |
| FILTER-OIL (Ref # 49065) | 49065-1068 | 1 |
| BOLT,6X25 (Ref # 92002) | 92002-1582 | 1 |
| RING-SNAP (Ref # 92033) | 92033-1277 | 1 |
| PIN,DOWEL,4X15.8 (Ref # 92042) | 92042-014 | 1 |
| PIN,17.9X5.0 (Ref # 92043) | 92043-1444 | 1 |
| BEARING-NEEDLE,RNA4903 (Ref # 92046) | 92046-1109 | 1 |
| RING-O,OIL FILTER (Ref # 92055) | 92055-1503 | 1 |