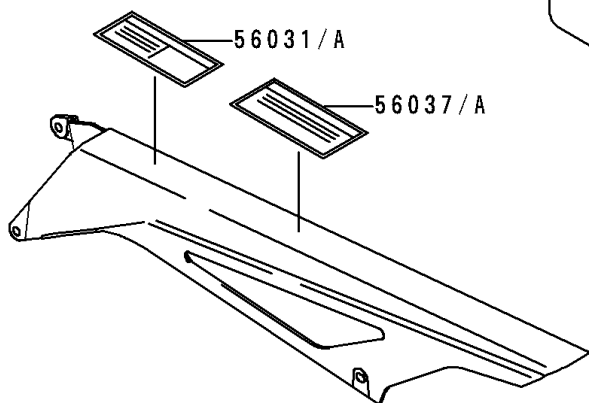
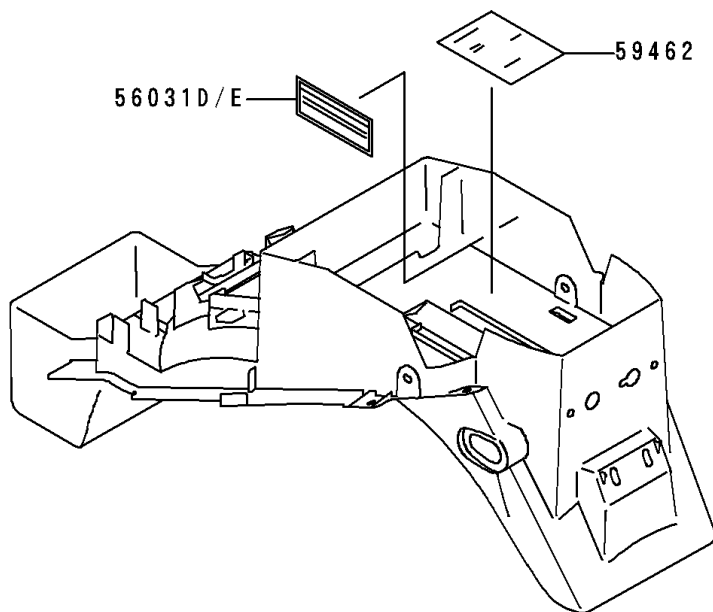
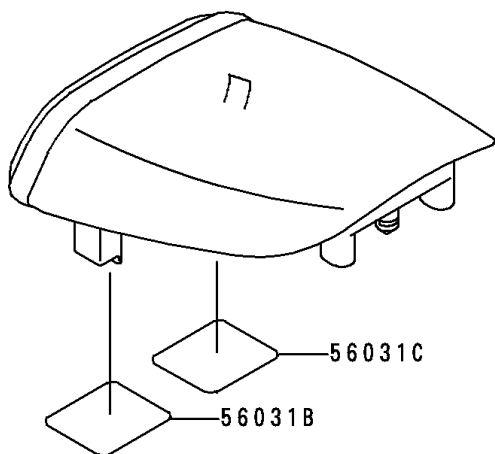
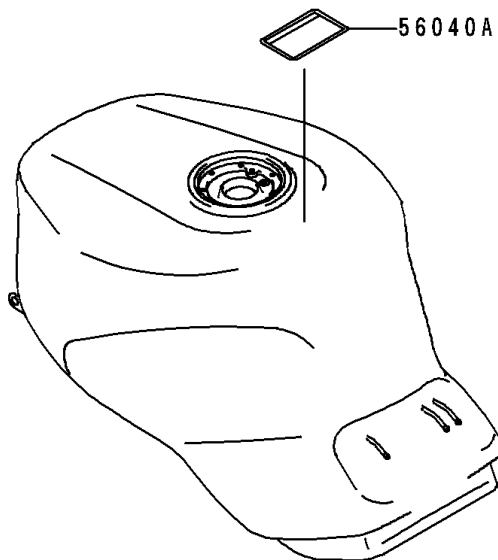
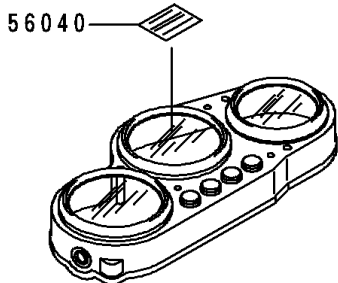


1994 NINJA® ZX™-9R PARTS DIAGRAM

Labels

F2860



1994 NINJA® ZX™-9R PARTS LIST

Labels

ITEM NAME	PART NUMBER	QUANTITY
LABEL-MANUAL,DAILY SAFETY (Ref # 56031B)	56031-1856	1
LABEL-MANUAL,CHAIN (Ref # 56031)	56031-1776	1
LABEL-MANUAL,CHAIN (Ref # 56031A)	56031-1780	1
LABEL-MANUAL,DAILY SAFETY (Ref # 56031C)	56031-1868	1
LABEL-MANUAL,OIL&OIL FILTER (Ref # 56031D)	56031-1883	1
LABEL-MANUAL,OIL&OIL FILTER (Ref # 56031E)	56031-1884	1
LABEL-SPECIFICATION,TIRE&LOAD (Ref # 56037)	56037-1653	1
LABEL-SPECIFICATION,TIRE&LOAD (Ref # 56037A)	56037-1654	1
LABEL-WARNING,BREAK IN CAUTION (Ref # 56040)	56040-1007	1
LABEL-WARNING,EVAPO (Ref # 56040A)	56040-1121	1
LABEL-CERTIFICATION,EVAPO ROUT (Ref # 59462)	59462-1491	1