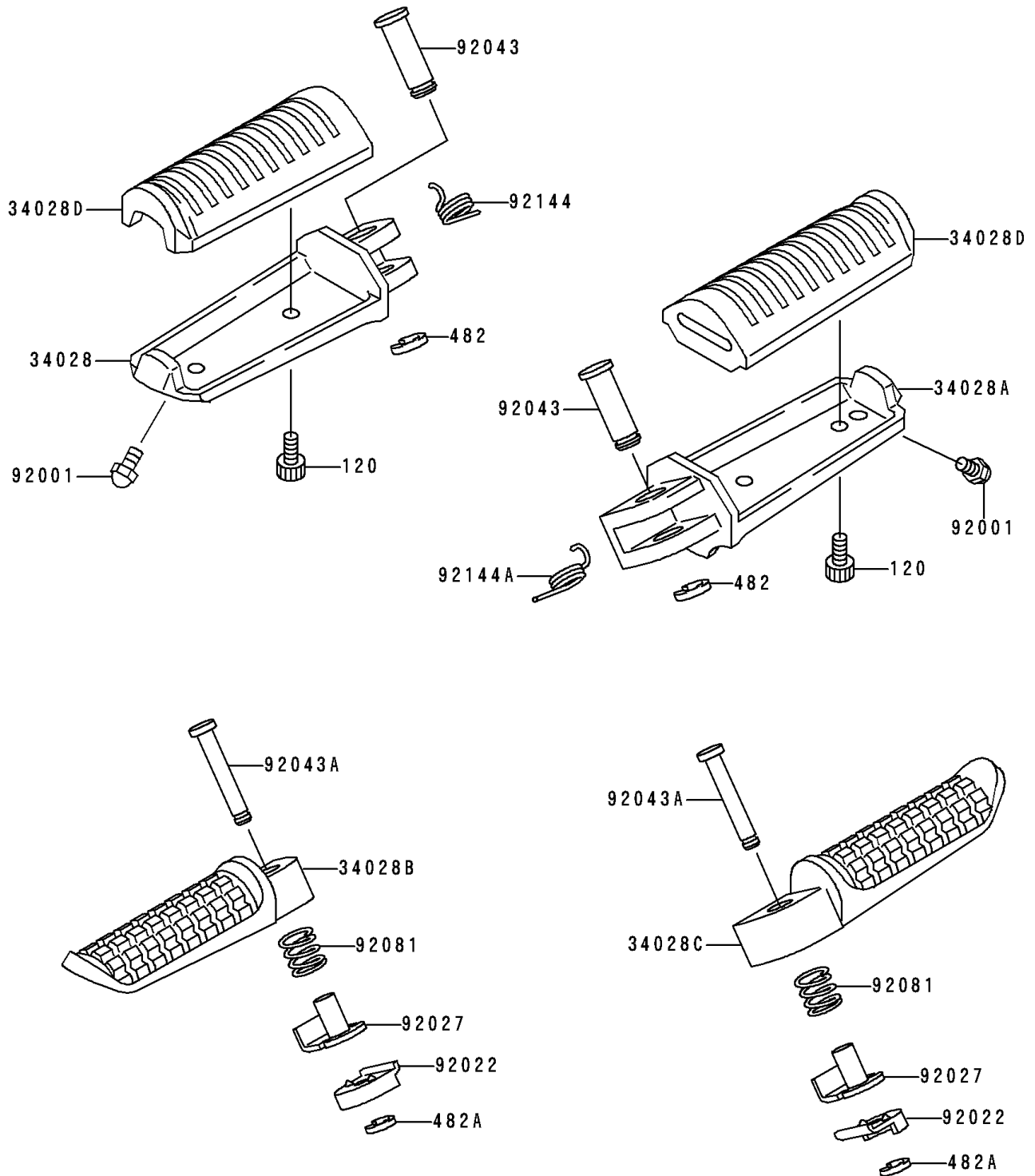


1994 NINJA® ZX™-9R PARTS DIAGRAM

Footrests

F2160



1994 NINJA® ZX™-9R PARTS LIST

Footrests

| ITEM NAME | PART NUMBER | QUANTITY |
|-------------------------------------|-------------|----------|
| BOLT-SOCKET (Ref # 120) | 120Z0514 | 1 |
| CIRCLIP-TYPE-E,10MM (Ref # 482) | 482L0100 | 1 |
| CIRCLIP-TYPE-E,5MM (Ref # 482A) | 482L5000 | 1 |
| STEP,FR,LH (Ref # 34028) | 34028-1126 | 1 |
| STEP,FR,RH (Ref # 34028A) | 34028-1127 | 1 |
| STEP,RR,LH (Ref # 34028B) | 34028-1191 | 1 |
| STEP,RR,RH (Ref # 34028C) | 34028-1192 | 1 |
| STEP,FR,RUBBER (Ref # 34028D) | 34028-1390 | 1 |
| BOLT,6X10 (Ref # 92001) | 92001-1905 | 1 |
| WASHER,STEP,RR (Ref # 92022) | 92022-1507 | 1 |
| COLLAR,STEP (Ref # 92027) | 92027-1732 | 1 |
| PIN,12X37 (Ref # 92043) | 92043-1144 | 1 |
| PIN,6X38.5 (Ref # 92043A) | 92043-1238 | 1 |
| SPRING,STEP,RR (Ref # 92081) | 92081-1612 | 1 |
| SPRING,STEP RETURN,LH (Ref # 92144) | 92144-1567 | 1 |
| SPRING,STEP RETURN (Ref # 92144A) | 92144-1568 | 1 |