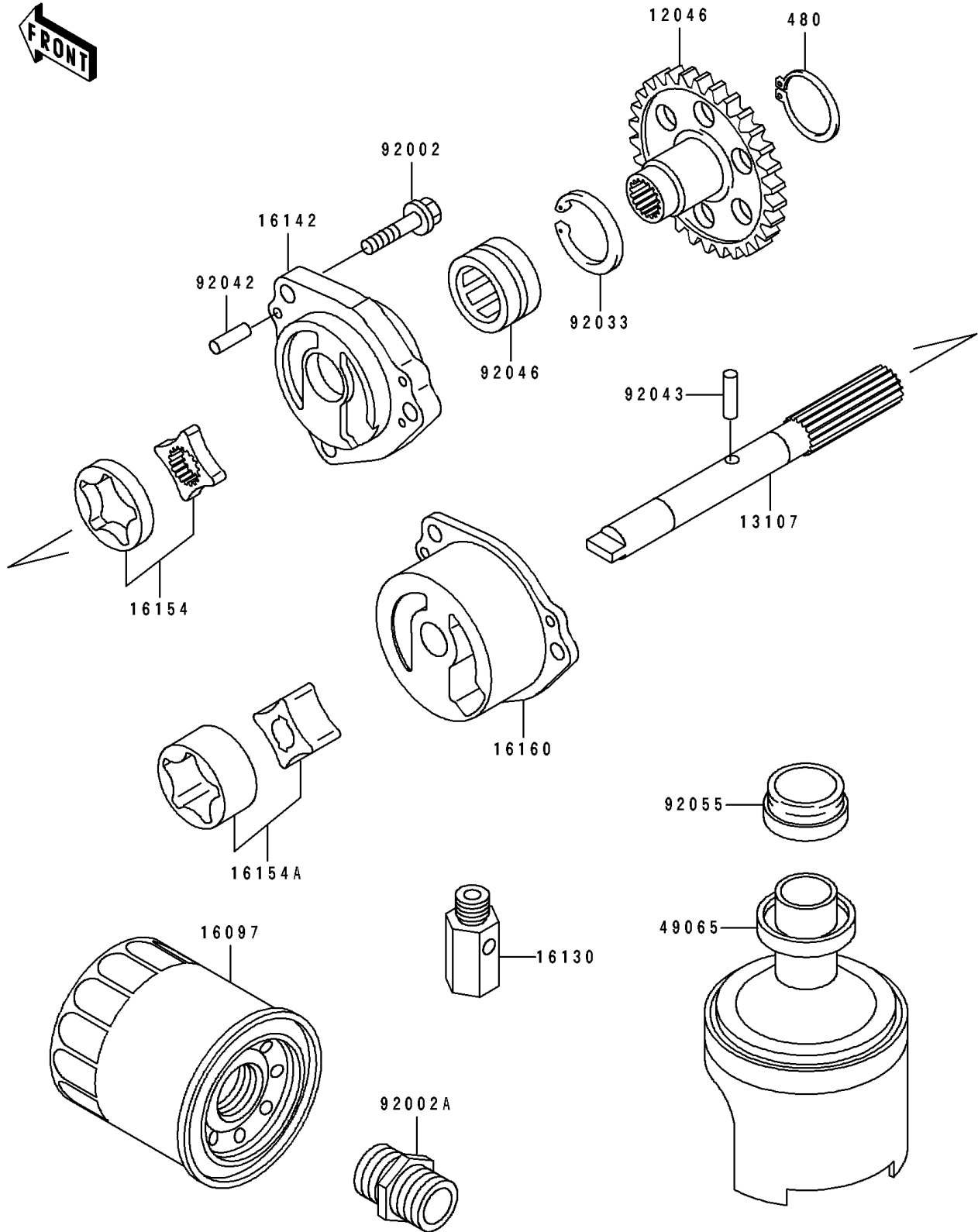


1991 NINJA® ZX™-7 PARTS DIAGRAM

Oil Pump

E1710



1991 NINJA® ZX™-7 PARTS LIST

Oil Pump

ITEM NAME	PART NUMBER	QUANTITY
SPROCKET,OIL PUMP,30T (Ref # 12046)	12046-1123	1
SHAFT,OIL PUMP (Ref # 13107)	13107-1278	1
FILTER-ASSY-OIL (Ref # 16097)	16097-1063	1
VALVE-ASSY-RELIEF (Ref # 16130)	16130-1001	1
COVER-PUMP (Ref # 16142)	16142-1110	1
ROTOR-PUMP,OIL COOLER (Ref # 16154)	16154-1090	1
ROTOR-PUMP,ENGINE (Ref # 16154A)	16154-1093	1
BODY,OIL PUMP (Ref # 16160)	16160-1173	1
FILTER-OIL (Ref # 49065)	49065-1068	1
BOLT,6X25 (Ref # 92002)	92002-1582	1
BOLT,OIL FILTER (Ref # 92002A)	92002-1899	1
RING-SNAP (Ref # 92033)	92033-1277	1
PIN,DOWEL,4X15.8 (Ref # 92042)	92042-014	1
PIN,17.9X5.0 (Ref # 92043)	92043-1444	1
BEARING-NEEDLE,RNA4903 (Ref # 92046)	92046-1109	1
RING-O,OIL FILTER (Ref # 92055)	92055-1503	1
CIRCLIP-TYPE-C,15MM (Ref # 480)	480J1500	1