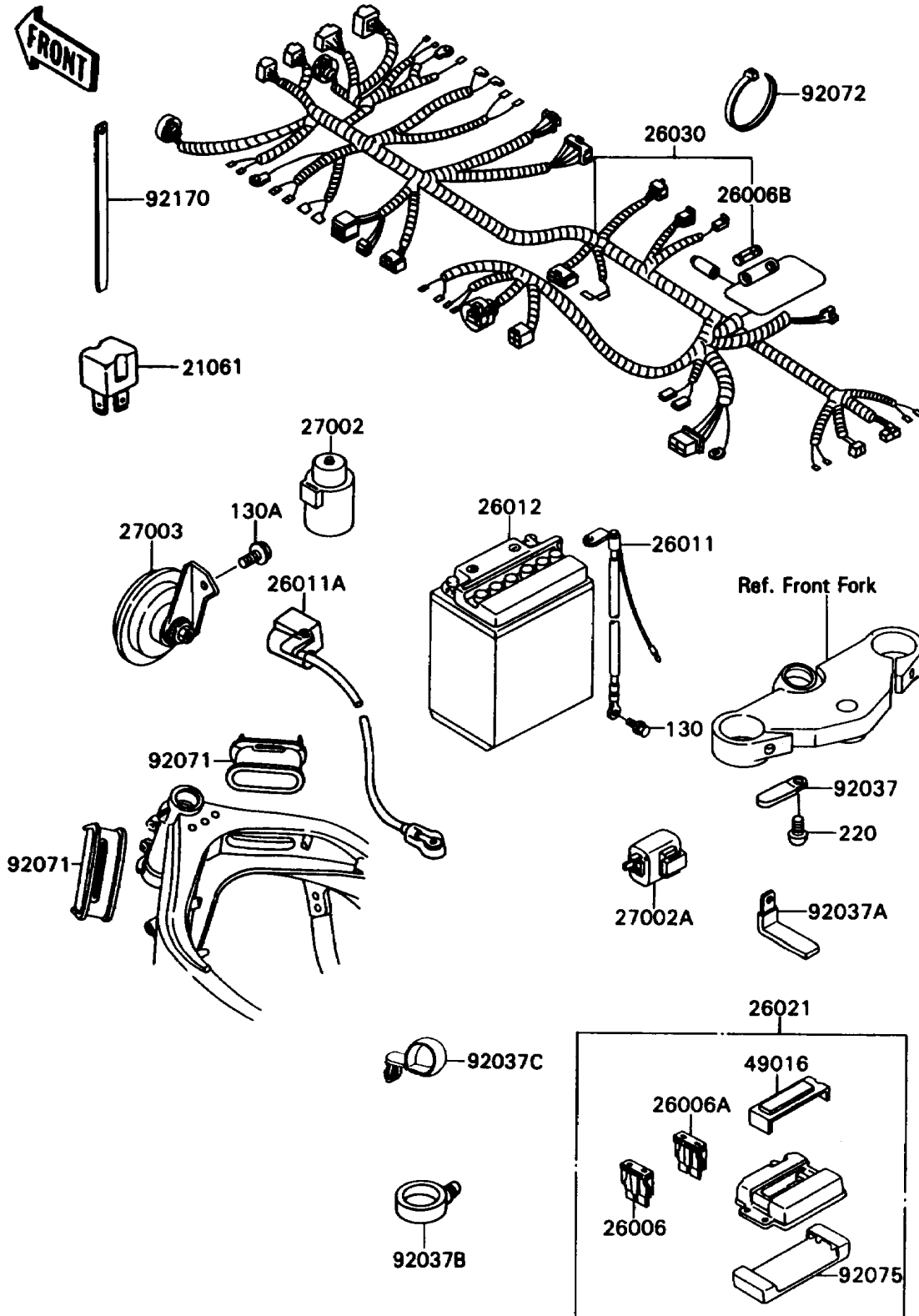


1990 NINJA® ZX™-7 PARTS DIAGRAM

Chassis Electrical Equipment

F2760



1990 NINJA® ZX™-7 PARTS LIST

Chassis Electrical Equipment

ITEM NAME	PART NUMBER	QUANTITY
RECTIFIER (Ref # 21061)	21061-1003	1
FUSE,30A-G (Ref # 26006)	26006-1006	1
FUSE,10A-R (Ref # 26006A)	26006-1007	1
FUSE,20A,L=30 (Ref # 26006B)	26006-1056	1
WIRE-LEAD,BATTERY GROUND (Ref # 26011)	26011-1189	1
WIRE-LEAD,BATTERY(+) (Ref # 26011A)	26011-1475	1
BATTERY,12V 12AH,YB12AL-A2 (Ref # 26012)	26012-1249	1
JUNCTION BOX (Ref # 26021)	26021-1071	1
HARNESS,MAIN (Ref # 26030)	26030-1028	1
RELAY-ASSY (Ref # 27002)	27002-1051	1
RELAY-ASSY,TURN SIGNAL (Ref # 27002A)	27002-1059	1
HORN (Ref # 27003)	27003-1312	1
COVER-SEAL,FUSE (Ref # 49016)	49016-1125	1
CLAMP,WIRING HARNESS (Ref # 92037)	92037-1539	1
CLAMP (Ref # 92037A)	92037-1680	1
CLAMP,HOSE (Ref # 92037B)	92037-1827	1
CLAMP (Ref # 92037C)	92037-1903	1
GROMMET,HARNESS,LH (Ref # 92071)	92071-1180	1
BAND,L=185 (Ref # 92072)	92072-1195	1
DAMPER,JUNCTION BOX (Ref # 92075)	92075-1688	1
CLAMP (Ref # 92170)	92170-1114	1
BOLT-FLANGED,6X10 (Ref # 130)	130B0610	1
BOLT-FLANGED,6X14,BLACK (Ref # 130A)	130J0614	1
SCREW-PAN-CROS (Ref # 220)	220C0510	1