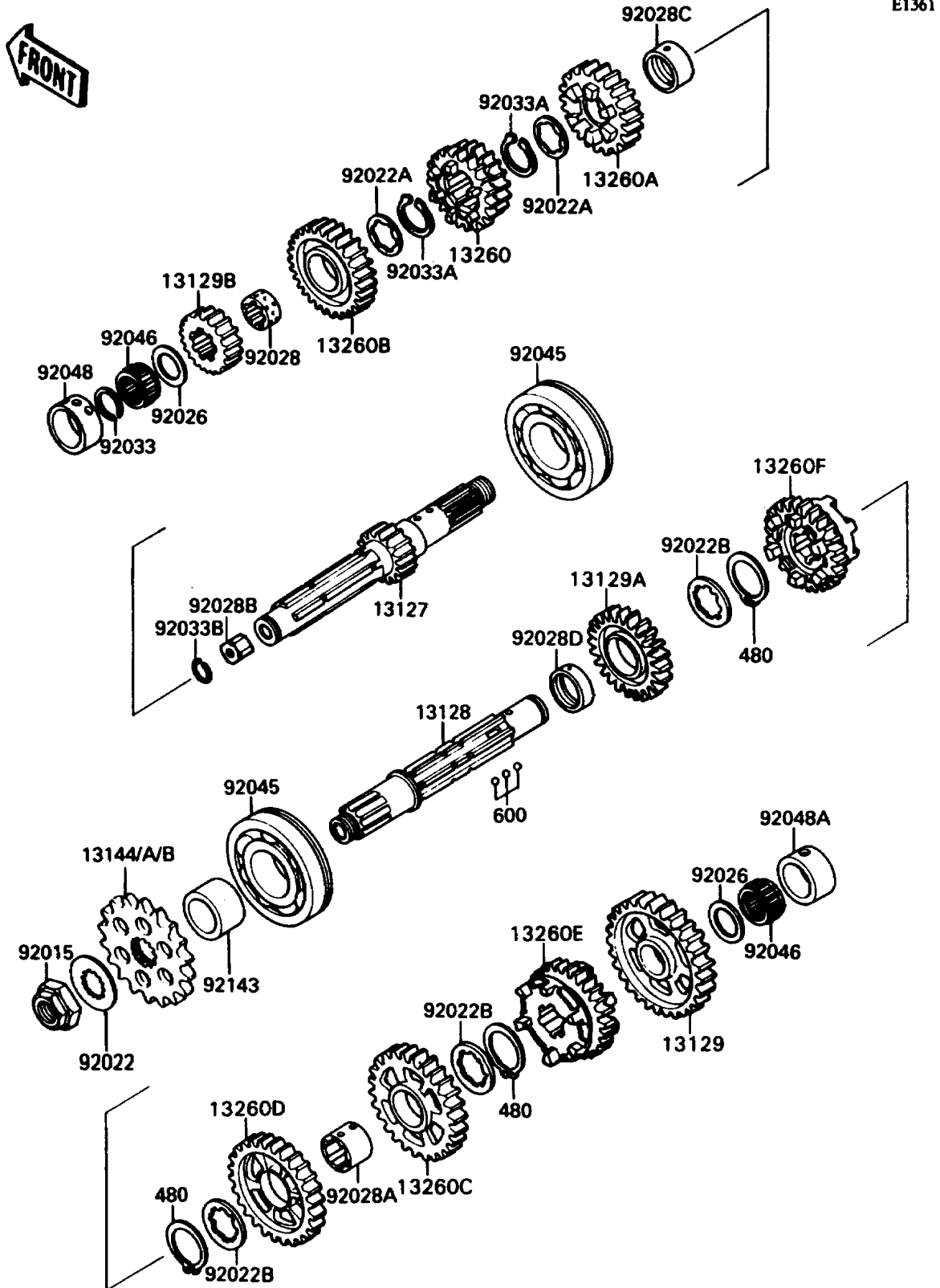


1990 NINJA® ZX™-7 PARTS DIAGRAM

Transmission



1990 NINJA® ZX™-7 PARTS LIST

Transmission

ITEM NAME	PART NUMBER	QUANTITY
SHAFT-TRANSMISSION INPUT,13T (Ref # 13127)	13127-1182	1
SHAFT-TRANSMISSION OUTPUT (Ref # 13128)	13128-1168	1
GEAR,OUTPUT LOW,38T (Ref # 13129)	13129-1814	1
GEAR,OUTPUT 2ND,34T (Ref # 13129A)	13129-1898	1
GEAR,INPUT 2ND,16T (Ref # 13129B)	13129-1971	1
SPROCKET-OUTPUT,17T(#530) (Ref # 13144)	13144-1009	1
SPROCKET-OUTPUT,15T(#530) (Ref # 13144A)	13144-1117	1
SPROCKET-OUTPUT,16T (Ref # 13144B)	13144-1129	1
GEAR,INPUT 3RD&4TH,21T&21T (Ref # 13260)	13260-1025	1
GEAR,INPUT 5TH,23T (Ref # 13260A)	13260-1026	1
GEAR,INPUT TOP,24T (Ref # 13260B)	13260-1027	1
GEAR,OUTPUT 3RD,35T (Ref # 13260C)	13260-1028	1
GEAR,OUTPUT 4TH,29T (Ref # 13260D)	13260-1029	1
GEAR,OUTPUT 5TH,28T (Ref # 13260E)	13260-1030	1
GEAR,OUTPUT TOP,26T (Ref # 13260F)	13260-1031	1
NUT,20MM (Ref # 92015)	92015-1254	1
WASHER,TOOTHED,25.5X42X1 (Ref # 92022)	92022-1076	1
WASHER,TOOTHED,28.3X33.5X1 (Ref # 92022A)	92022-1139	1
WASHER,TOOTHED,30.3X40X1.5 (Ref # 92022B)	92024-043	1
SPACER,22X35.5X2.1 (Ref # 92026)	92026-1224	1
BUSHING,INPUT TOP GEAR (Ref # 92028)	92028-1255	1
BUSHING,OUTPUT 3RD&4TH (Ref # 92028A)	92028-1363	1
BUSHING (Ref # 92028B)	92028-1448	1
BUSHING,INPUT 5TH GEAR (Ref # 92028C)	92028-1449	1
BUSHING,OUTPUT 2ND (Ref # 92028D)	92028-1450	1
RING-SNAP,20X25.5X1.2 (Ref # 92033)	92033-025	1
RING-SNAP,25.9MM (Ref # 92033A)	92033-1037	1
RING-SNAP (Ref # 92033B)	92036-005	1
BEARING-BALL,6305N2SH2 (Ref # 92045)	92045-1224	1

1990 NINJA® ZX™-7 PARTS LIST

Transmission

ITEM NAME	PART NUMBER	QUANTITY
BEARING-NEEDLE,FWF-223014 (Ref # 92046)	92046-031	1
RACE,INPUT SHAFT (Ref # 92048)	92048-1066	1
RACE,ORZ30X38X17PX1 (Ref # 92048A)	92048-1067	1
COLLAR,25X32X25.9 (Ref # 92143)	92143-1293	1
CIRCLIP (Ref # 480)	480J2900	1
BALL-STEEL,5/32" (Ref # 600)	600A0500	1