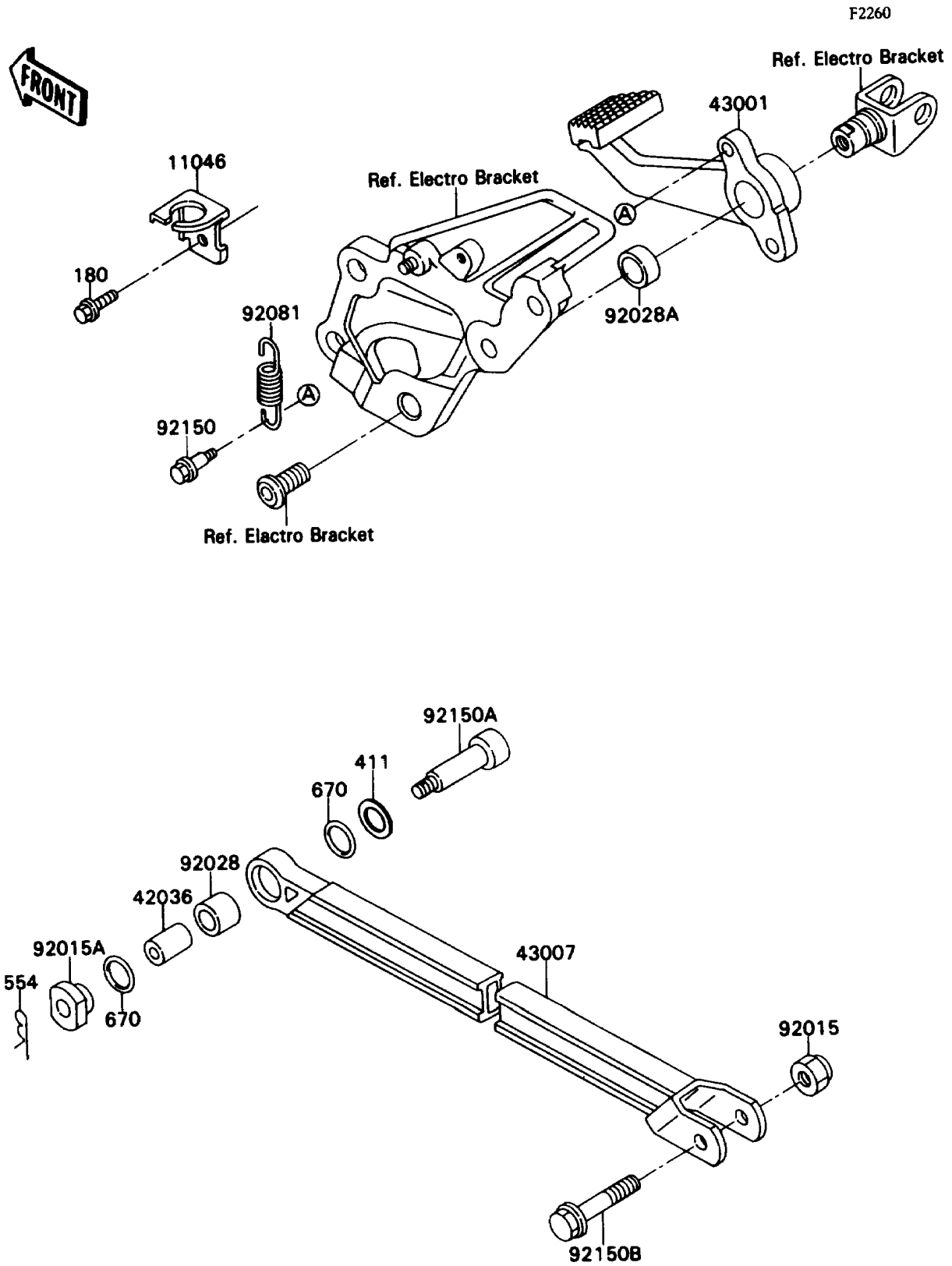


1989 NINJA® ZX™-7 PARTS DIAGRAM

Brake Pedal/Torque Link



1989 NINJA® ZX™-7 PARTS LIST

Brake Pedal/Torque Link

ITEM NAME	PART NUMBER	QUANTITY
BRACKET,REAR BRAKE SWITCH (Ref # 11046)	11046-1252	1
SLEEVE,10.1X16X20 (Ref # 42036)	42036-1242	1
LEVER-BRAKE,PEDAL (Ref # 43001)	43001-1269	1
ROD-TORQUE (Ref # 43007)	43007-1147	1
NUT,CAP,LOCK,8MM (Ref # 92015)	92015-1133	1
NUT,8MM (Ref # 92015A)	92015-1747	1
BUSHING (Ref # 92028)	92028-1468	1
BUSHING (Ref # 92028A)	92028-1558	1
SPRING,BRAKE PEDAL (Ref # 92081)	92081-1147	1
BOLT,6MM (Ref # 92150)	92150-1113	1
BOLT,SOCKET,8X61 (Ref # 92150A)	92150-1167	1
BOLT,FLANGED,8X42 (Ref # 92150B)	92150-1415	1
BOLT-UPSET-WS (Ref # 180)	180H0614	1
WASHER-PLAIN,10MM (Ref # 411)	411D1000	1
PIN-SNAP,8MM (Ref # 554)	554A0800	1
O RING,16MM (Ref # 670)	670B2016	1