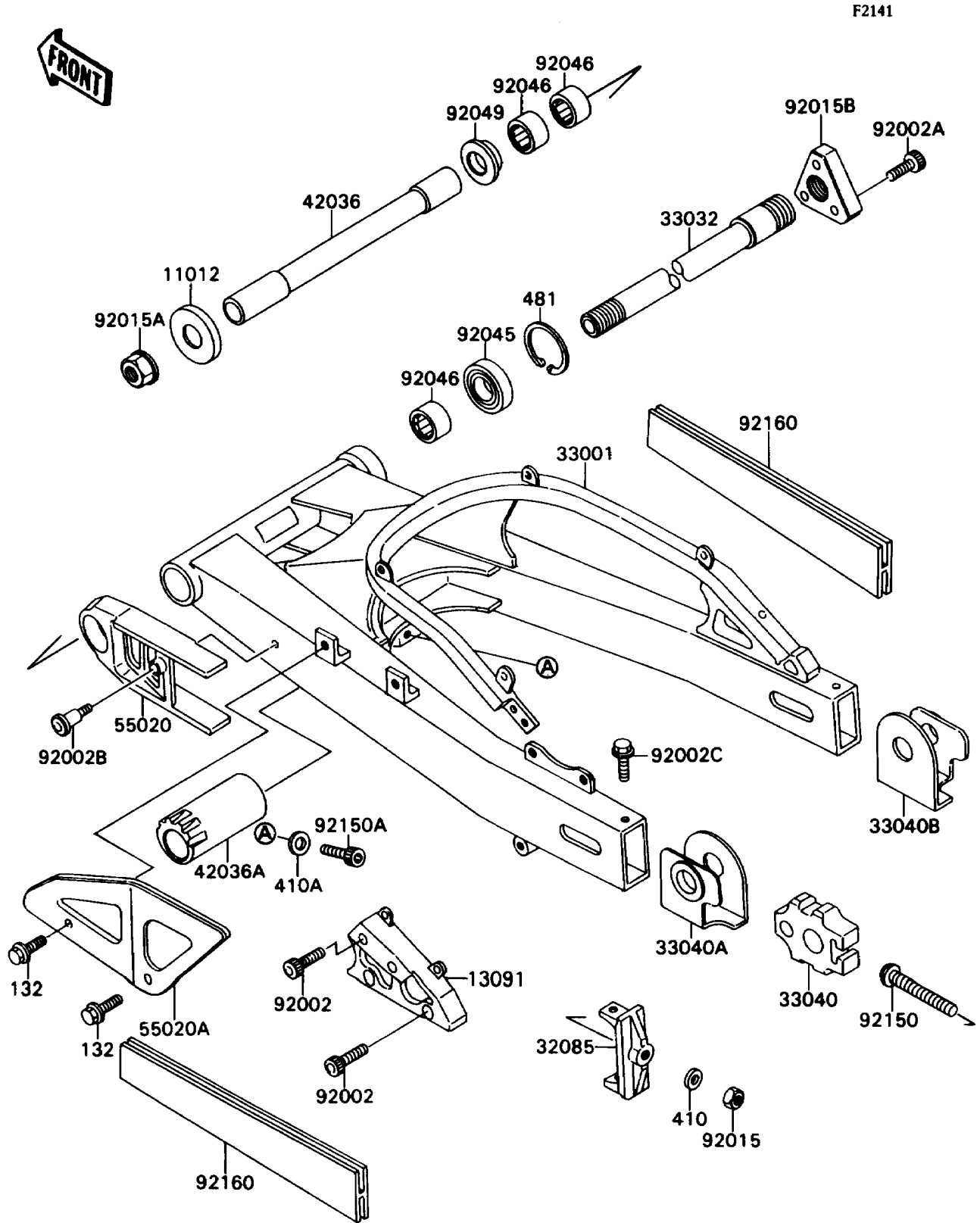


## 1989 NINJA® ZX™-7 PARTS DIAGRAM

Swingarm



## 1989 NINJA® ZX™-7 PARTS LIST

Swingarm

ITEM NAME	PART NUMBER	QUANTITY
CAP (Ref # 11012)	11012-1658	1
HOLDER,SWING ARM,SILVER NO.25 (Ref # 13091)	13091-1605-CE	1
STOPPER,CHAIN ADJUSTER (Ref # 32085)	32085-1319	1
ARM-COMP-SWING,SILVER NO.25 (Ref # 33001)	33001-1334-CE	1
SHAFT-SWING ARM (Ref # 33032)	33032-1150	1
ADJUSTER-CHAIN (Ref # 33040)	33040-1101	1
ADJUSTER-CHAIN,LH (Ref # 33040A)	33040-1102	1
ADJUSTER-CHAIN,RH (Ref # 33040B)	33040-1105	1
SLEEVE,SWING ARM,L=241.7 (Ref # 42036)	42036-1252	1
SLEEVE,SWING ARM,L=84 (Ref # 42036A)	42036-1253	1
GUARD,CHAIN (Ref # 55020)	55020-1307	1
GUARD (Ref # 55020A)	55020-1348	1
BOLT,SOCKET,8X20 (Ref # 92002)	92002-1178	1
BOLT,SOCKET,8X22 (Ref # 92002A)	92002-1334	1
BOLT,SOCKET,6MM (Ref # 92002B)	92002-1616	1
BOLT (Ref # 92002C)	92002-1626	1
NUT,10MM (Ref # 92015)	92015-1413	1
NUT,FLANGED,20MM (Ref # 92015A)	92015-1724	1
NUT (Ref # 92015B)	92015-1771	1
BEARING-BALL (Ref # 92045)	92045-1148	1
BEARING-NEEDLE,BM283417 (Ref # 92046)	92046-1111	1
SEAL-OIL (Ref # 92049)	92049-1181	1
BOLT,10X69 (Ref # 92150)	92150-1260	1
BOLT,SOCKET,10X25 (Ref # 92150A)	92150-1267	1
DAMPER,SWING ARM (Ref # 92160)	92160-1157	1
BOLT-FLANGED-SMALL (Ref # 132)	132E0612	1
WASHER-PLAIN-SMALL,10MM (Ref # 410)	410D1000	1
W-PLAIN-S (Ref # 410A)	410E1000	1
CIRCLIP-TYPE-C,42MM (Ref # 481)	481J4200	1