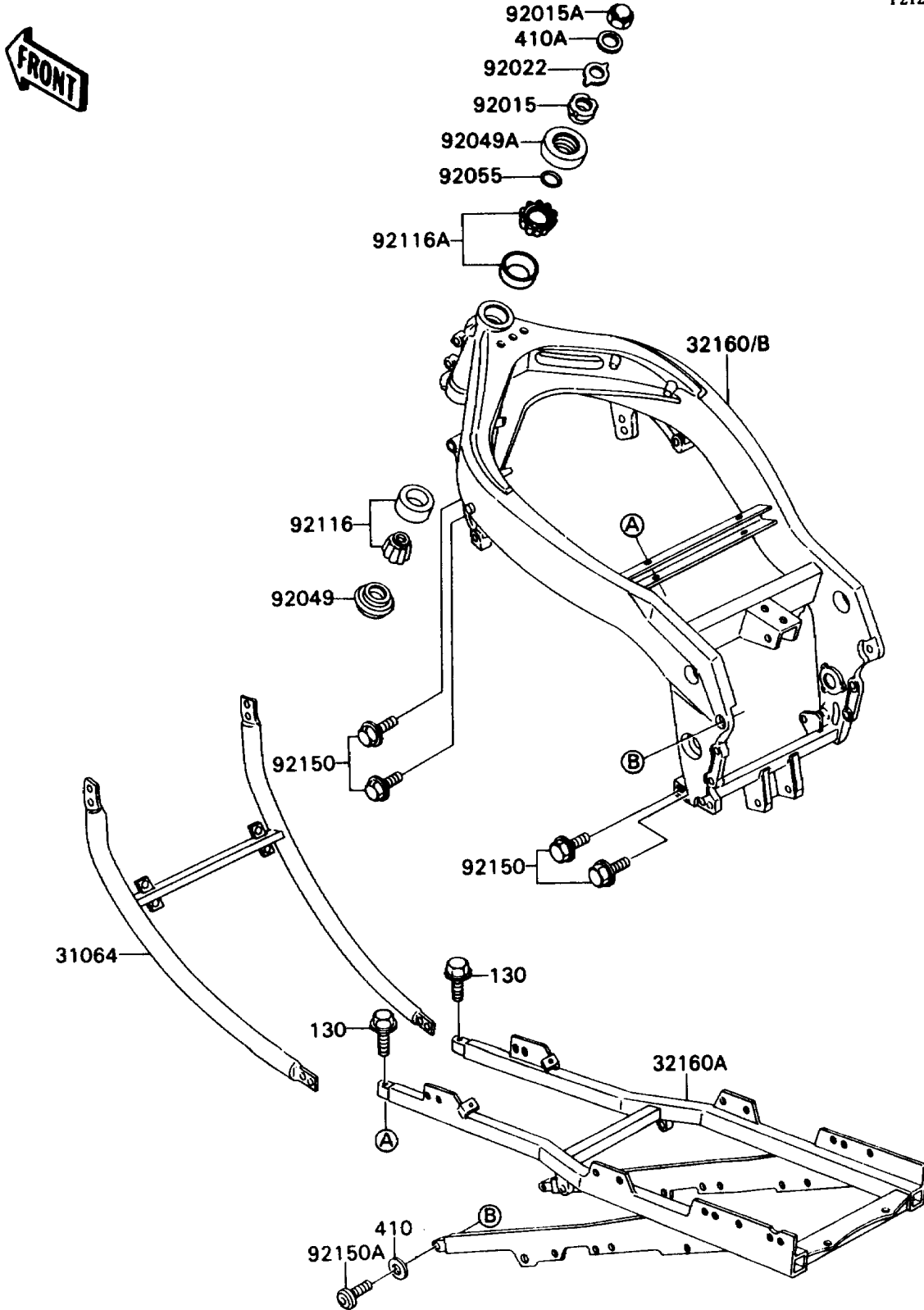


1989 NINJA® ZX™-7 PARTS DIAGRAM

Frame

F2120



1989 NINJA® ZX™-7 PARTS LIST

Frame

ITEM NAME	PART NUMBER	QUANTITY
PIPE-COMP (Ref # 31064)	31064-1108	1
FRAME-COMP,AL,FR (Ref # 32160)	32160-1054	1
FRAME-COMP,AL,RR (Ref # 32160A)	32160-1059	1
FRAME-COMP,AL,FR (Ref # 32160B)	32160-1101	1
NUT,25MM,T=12 (Ref # 92015)	92015-1546	1
NUT,CAP,18MM (Ref # 92015A)	92015-1736	1
WASHER,CLAW,18.5X30X2.3 (Ref # 92022)	92022-1555	1
SEAL-OIL,XMHE36X52X4J (Ref # 92049)	92049-1162	1
SEAL-OIL,XMH33 70 6.4J-A (Ref # 92049A)	92049-1313	1
RING-O,ID=24.5 (Ref # 92055)	92055-1459	1
BEARING-ROLLER,HR320/28XJ (Ref # 92116)	92116-1009	1
BEARING-ROLLER,HI-CAP32005JR-1 (Ref # 92116A)	92116-1056	1
BOLT,FLANGED,10X30 (Ref # 92150)	92150-1174	1
BOLT,SOCKET,10X23 (Ref # 92150A)	92150-1221	1
BOLT-FLANGED,8X40 (Ref # 130)	130J0840	1
WASHER-PLAIN-SMALL,10MM (Ref # 410)	410B1000	1
W-PLAIN-S,18MM (Ref # 410A)	410D1800	1