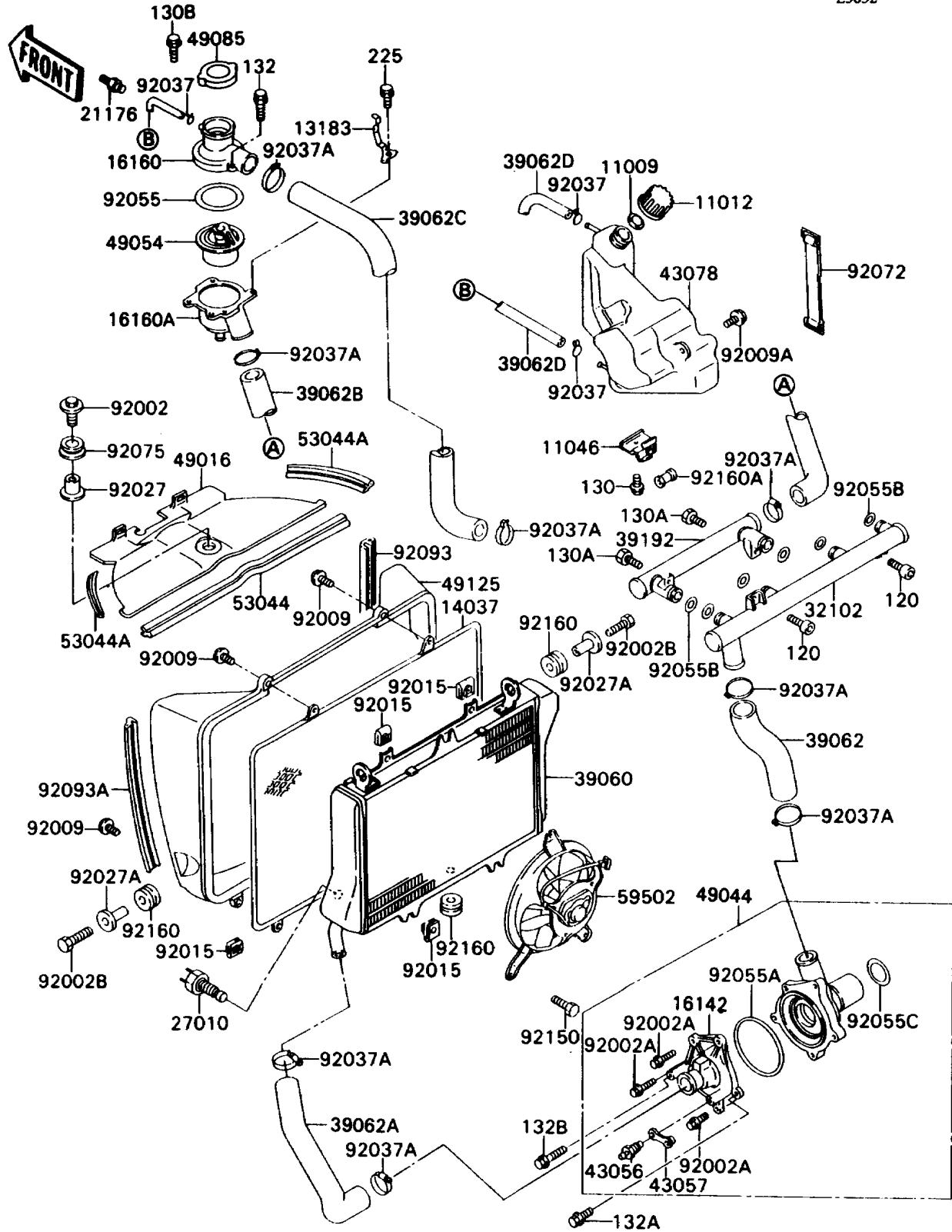


1989 NINJA® ZX™-7 PARTS DIAGRAM

Radiator

E3032



1989 NINJA® ZX™-7 PARTS LIST

Radiator

ITEM NAME	PART NUMBER	QUANTITY
GASKET,RESERVOIR TANK CAP (Ref # 11009)	11009-1145	1
CAP (Ref # 11012)	11012-1084	1
BRACKET (Ref # 11046)	11046-1580	1
PLATE (Ref # 13183)	13183-1472	1
SCREEN (Ref # 14037)	14037-1115	1
COVER-PUMP (Ref # 16142)	16142-1092	1
BODY,UPP (Ref # 16160)	16160-1152	1
BODY (Ref # 16160A)	16160-1153	1
SENSOR,WATER (Ref # 21176)	21176-1054	1
SWITCH,FAN (Ref # 27010)	27010-1202	1
PIPE,COOLING (Ref # 32102)	32102-1243	1
RADIATOR (Ref # 39060)	39060-1088	1
HOSE-COOLING (Ref # 39062)	39062-1197	1
HOSE-COOLING (Ref # 39062A)	39062-1324	1
HOSE-COOLING (Ref # 39062B)	39062-1325	1
HOSE-COOLING (Ref # 39062C)	39062-1326	1
HOSE-COOLING,CAP-RESERVOIR (Ref # 39062D)	39062-1340	1
PIPE-WATER (Ref # 39192)	39192-1036	1
BREATHER-BRAKE (Ref # 43056)	43056-1051	1
CAP-BREATHER (Ref # 43057)	43057-1001	1
RESERVOIR (Ref # 43078)	43078-1097	1
COVER-SEAL (Ref # 49016)	49016-1142	1
PUMP-WATER (Ref # 49044)	49044-1065	1
THERMOSTAT (Ref # 49054)	49054-1051	1
CAP-ASSY-PRESSURE (Ref # 49085)	49085-1062	1
SHROUD (Ref # 49125)	49125-1056	1
TRIM (Ref # 53044)	53044-1180	1
TRIM (Ref # 53044A)	53044-1220	1
FAN-ASSY (Ref # 59502)	59502-1083	1

1989 NINJA® ZX™-7 PARTS LIST

Radiator

ITEM NAME	PART NUMBER	QUANTITY
BOLT,6X25 (Ref # 92002)	92002-1135	1
BOLT,6X22 (Ref # 92002A)	92002-1392	1
BOLT,FLANGED,8X40 (Ref # 92002B)	92002-1838	1
SCREW,6X22,BLACK (Ref # 92009)	92009-1256	1
SCREW,6X14,BLACK (Ref # 92009A)	92009-1308	1
NUT (Ref # 92015)	92015-1487	1
COLLAR,L=12 (Ref # 92027)	92027-1062	1
COLLAR,L=14 (Ref # 92027A)	92027-1134	1
CLAMP,TUBE (Ref # 92037)	92037-147	1
CLAMP,COOLING HOSE (Ref # 92037A)	92037-1985	1
RING-O,53.5X2.6 (Ref # 92055)	92055-112	1
RING-O,WATER PUMP (Ref # 92055A)	92055-1271	1
RING-O (Ref # 92055B)	92055-1282	1
RING-O,WATER PUMP (Ref # 92055C)	92055-1378	1
BAND,L=200 (Ref # 92072)	92072-1253	1
DAMPER,RUBBER (Ref # 92075)	92075-1123	1
SEAL (Ref # 92093)	92093-1282	1
SEAL (Ref # 92093A)	92093-1283	1
BOLT,6X12 (Ref # 92150)	92150-1186	1
DAMPER (Ref # 92160)	92160-1119	1
DAMPER (Ref # 92160A)	92160-1129	1
BOLT-SOCKET (Ref # 120)	120S0610	1
BOLT-FLANGED,6X8 (Ref # 130)	130J0608	1
BOLT-FLANGED (Ref # 130A)	130J0612	1
BOLT-FLANGED,6X14,BLACK (Ref # 130B)	130J0614	1
BOLT-FLANGED-SMALL (Ref # 132)	132J0620	1
BOLT-FLANGED-SMALL (Ref # 132A)	132J0630	1
BOLT-FLANGED-SMALL (Ref # 132B)	132J0650	1
SCREW-PAN-WSP-CROS (Ref # 225)	225C0412	1