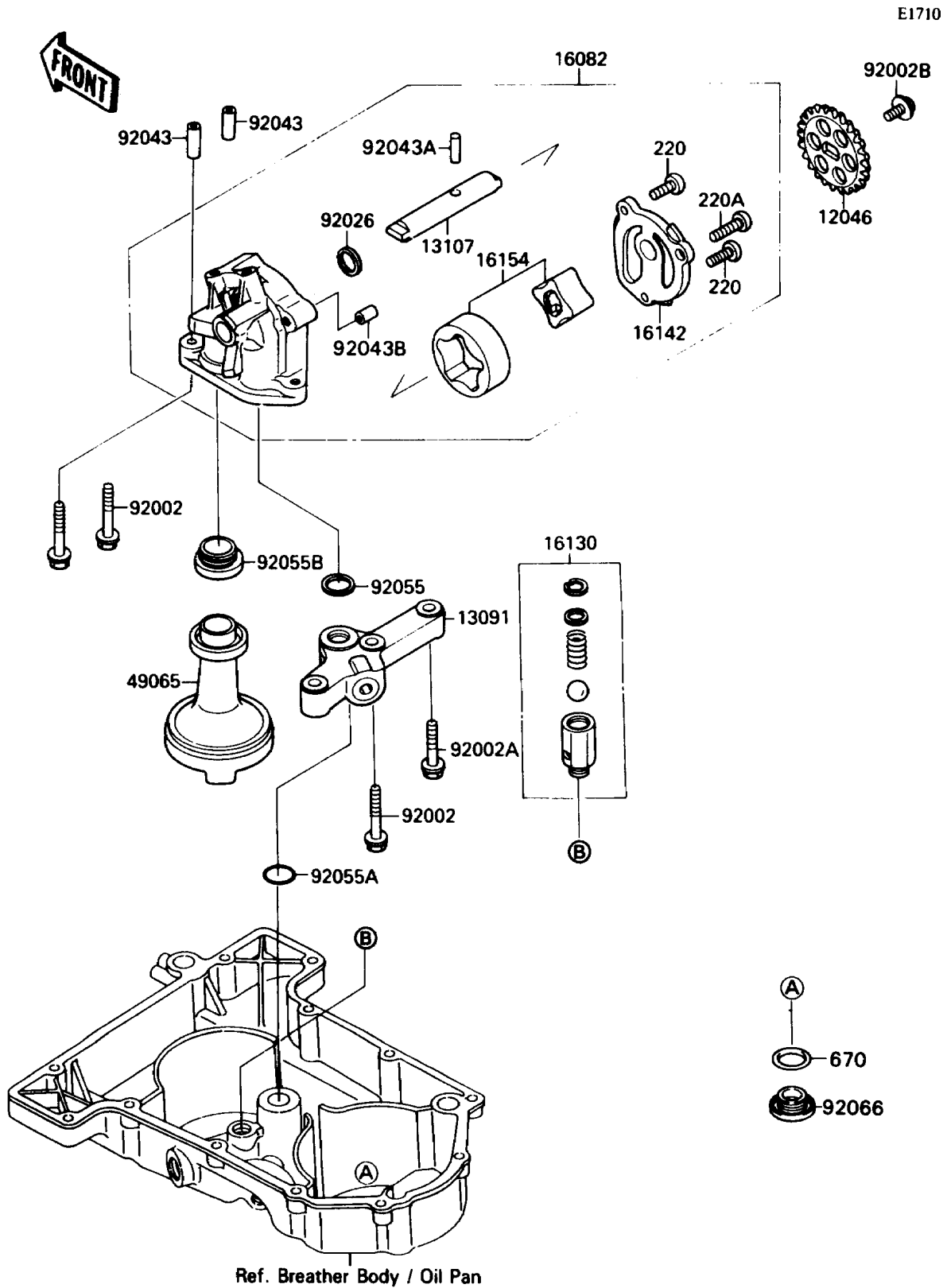


## 1989 NINJA® ZX™-7 PARTS DIAGRAM

Oil Pump/Oil Filter



## 1989 NINJA® ZX™-7 PARTS LIST

Oil Pump/Oil Filter

ITEM NAME	PART NUMBER	QUANTITY
SPROCKET,25T (Ref # 12046)	12046-1093	1
HOLDER,OIL PUMP (Ref # 13091)	13091-1439	1
SHAFT (Ref # 13107)	13107-1199	1
PUMP-ASSY-OIL (Ref # 16082)	16082-1083	1
VALVE-ASSY-RELIEF (Ref # 16130)	16130-1054	1
COVER-PUMP (Ref # 16142)	16142-1075	1
ROTOR-PUMP (Ref # 16154)	16154-1063	1
FILTER-OIL (Ref # 49065)	49065-1062	1
BOLT,6X38 (Ref # 92002)	92002-1431	1
BOLT,6X30 (Ref # 92002A)	92002-1797	1
BOLT,6X14 (Ref # 92002B)	92002-1859	1
SPACER (Ref # 92026)	92026-1284	1
PIN,6.2X8X21 (Ref # 92043)	92043-1335	1
PIN (Ref # 92043A)	92043-1353	1
PIN (Ref # 92043B)	92043-1354	1
RING-O,19.5MM (Ref # 92055)	92055-077	1
RING-O,16.3X3.5 (Ref # 92055A)	92055-1353	1
RING-O,OIL FILTER (Ref # 92055B)	92055-1354	1
PLUG,ROCKER SHAFT (Ref # 92066)	92066-1188	1
SCREW-PAN-CROS,6X16 (Ref # 220)	220B0616	1
SCREW-PAN-CROS,6X20,WHITE (Ref # 220A)	220B0620	1
O RING,20MM (Ref # 670)	670B2020	1