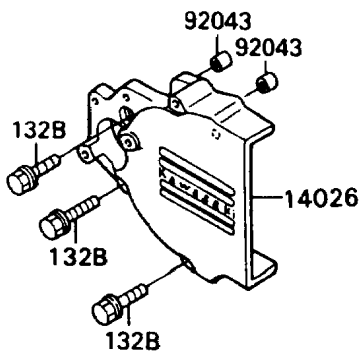
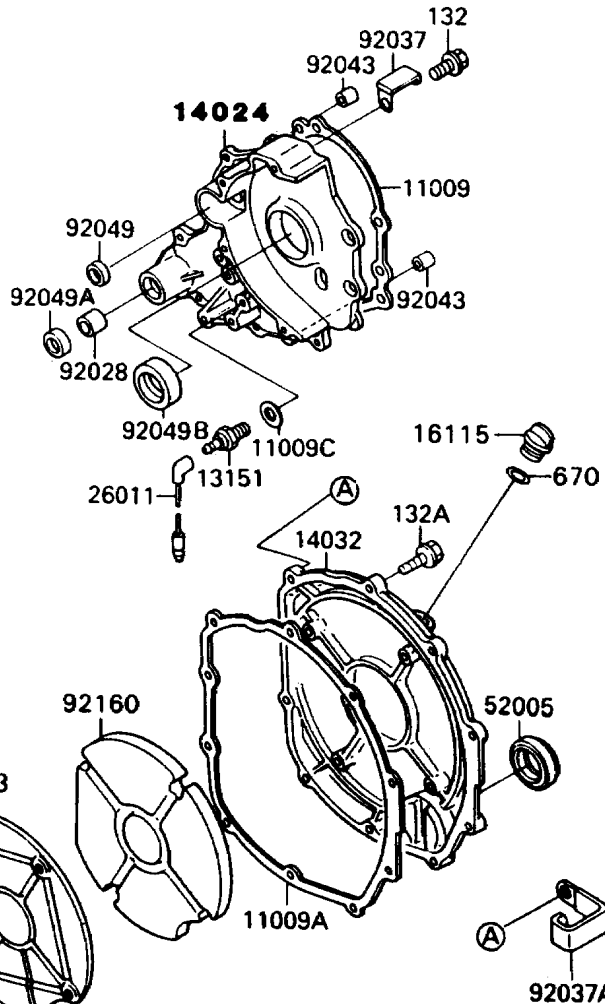
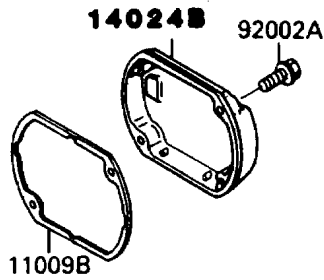
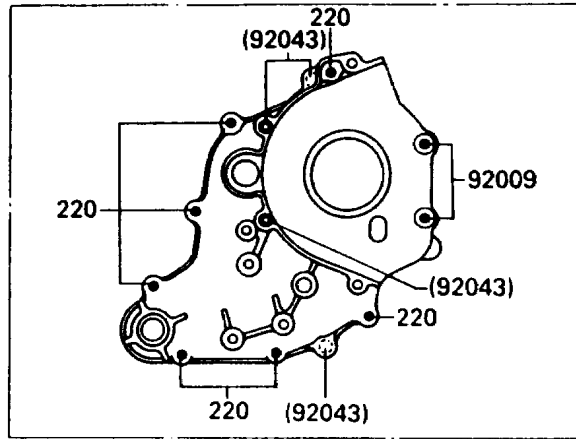
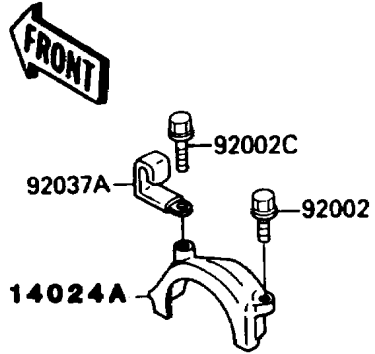


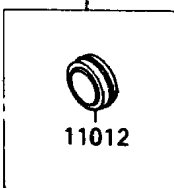
## 1989 NINJA® ZX™-7 PARTS DIAGRAM

Engine Cover(s)

E1431



Ref. Crankcase



## 1989 NINJA® ZX™-7 PARTS LIST

Engine Cover(s)

ITEM NAME	PART NUMBER	QUANTITY
GASKET,TRANSMISSION COVER (Ref # 11009)	11009-1901	1
GASKET,CLUTCH (Ref # 11009A)	11009-1902	1
GASKET,PULSING COIL COVER (Ref # 11009B)	11009-1904	1
GASKET,10.5X16X1,DRAIN PLUG (Ref # 11009C)	92065-058	1
CAP,LH,RCA378 (Ref # 11012)	11012-1540	1
SWITCH-COMP,NEUTRAL (Ref # 13151)	13151-1007	1
PLATE (Ref # 13183)	13183-1366	1
COVER,TRANSMISSION (Ref # 14024)	14024-1305	1
COVER,GENERATOR,UPP (Ref # 14024A)	14024-1836	1
COVER,RH (Ref # 14024B)	14024-1926	1
COVER-CHAIN (Ref # 14026)	14026-1144	1
COVER-CLUTCH (Ref # 14032)	14032-1270	1
CAP-OIL FILLER (Ref # 16115)	16115-1053	1
WIRE-LEAD (Ref # 26011)	26011-1384	1
GAUGE,OIL LEVEL (Ref # 52005)	52005-1057	1
BOLT,6X20 (Ref # 92002)	92002-1343	1
BOLT,6X25 (Ref # 92002A)	92002-1344	1
BOLT,6X10 (Ref # 92002B)	92002-1449	1
BOLT,6X30 (Ref # 92002C)	92002-1534	1
SCREW,6X20 (Ref # 92009)	92009-1447	1
BUSHING,13X15X20 (Ref # 92028)	92028-1251	1
CLAMP,LEAD WIRE (Ref # 92037)	92037-1876	1
CLAMP,WIRING HARNESS (Ref # 92037A)	92037-1877	1
PIN,DOWEL,6.3X8X14 (Ref # 92043)	92042-007	1
SEAL-OIL,SD-8187 (Ref # 92049)	92049-1017	1
SEAL-OIL,TB13205 (Ref # 92049A)	92049-1186	1
SEAL-OIL,TC32488 (Ref # 92049B)	92049-1361	1
DAMPER,SOUND ARRESTER (Ref # 92160)	92160-1117	1
BOLT-FLANGED-SMALL,6X10 (Ref # 132)	132J0610	1

## 1989 NINJA® ZX™-7 PARTS LIST

Engine Cover(s)

ITEM NAME	PART NUMBER	QUANTITY
BOLT-FLANGED-SMALL (Ref # 132A)	132J0620	1
BOLT-FLANGED-SMALL (Ref # 132B)	132J0645	1
SCREW-PAN-CROS,6X20,WHITE (Ref # 220)	220B0620	1
O RING,20MM (Ref # 670)	670B2020	1