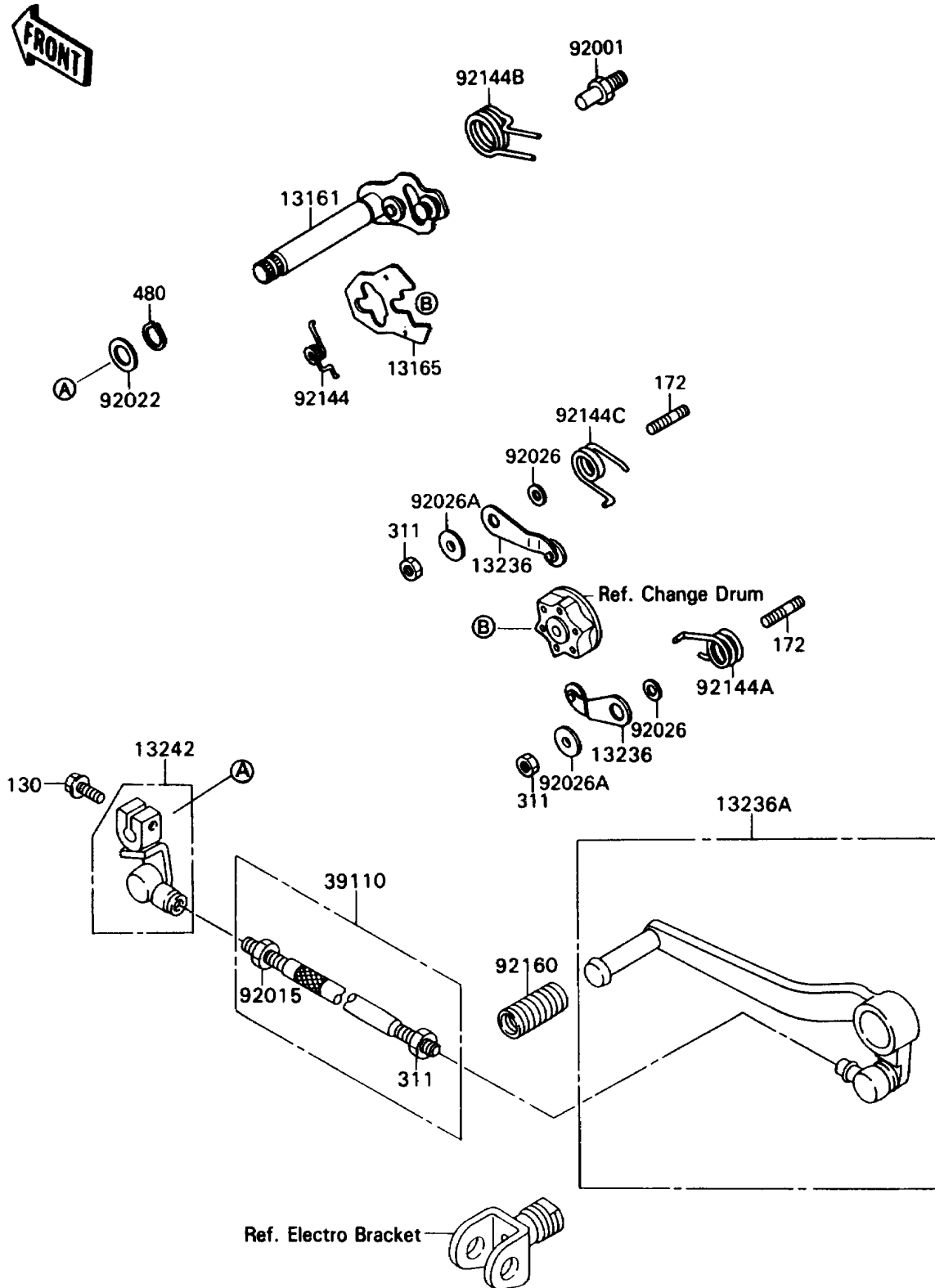


## 1989 NINJA® ZX™-7 PARTS DIAGRAM

Gear Change Mechanism

E1370



## 1989 NINJA® ZX™-7 PARTS LIST

Gear Change Mechanism

| ITEM NAME                                 | PART NUMBER | QUANTITY |
|---|-------------|----------|
| LEVER-COMP-CHANGE SHAFT (Ref # 13161)     | 13161-1168  | 1        |
| PAWL (Ref # 13165)                        | 13165-1120  | 1        |
| LEVER-COMP,POSITION (Ref # 13236)         | 13236-1149  | 1        |
| LEVER-COMP,CHANGE PEDAL (Ref # 13236A)    | 13236-1204  | 1        |
| LEVER-ASSY-CHANGE,LINK (Ref # 13242)      | 13242-1278  | 1        |
| ROD-ASSY-TIE (Ref # 39110)                | 39110-1089  | 1        |
| BOLT,RETURN SPRING (Ref # 92001)          | 92001-1455  | 1        |
| NUT (Ref # 92015)                         | 92015-1125  | 1        |
| WASHER,13.3X20X1 (Ref # 92022)            | 92022-1496  | 1        |
| SPACER,6.3X12X1.0 (Ref # 92026)           | 92026-094   | 1        |
| SPACER (Ref # 92026A)                     | 92026-1217  | 1        |
| SPRING (Ref # 92144)                      | 92144-1029  | 1        |
| SPRING,NEUTRAL POSITION (Ref # 92144A)    | 92144-1030  | 1        |
| SPRING,CHANGE PEDAL RETURN (Ref # 92144B) | 92144-1074  | 1        |
| SPRING,GEAR POSITION (Ref # 92144C)       | 92144-1429  | 1        |
| DAMPER,CHANGE PEDAL (Ref # 92160)         | 92160-1036  | 1        |
| BOLT-FLANGED,6X20,BLACK (Ref # 130)       | 130S0620    | 1        |
| BOLT-STUD,6X12 (Ref # 172)                | 172G0612    | 1        |
| NUT-HEX,6MM (Ref # 311)                   | 311G0600    | 1        |
| CIRCLIP-TYPE-C,13MM (Ref # 480)           | 480J1300    | 1        |