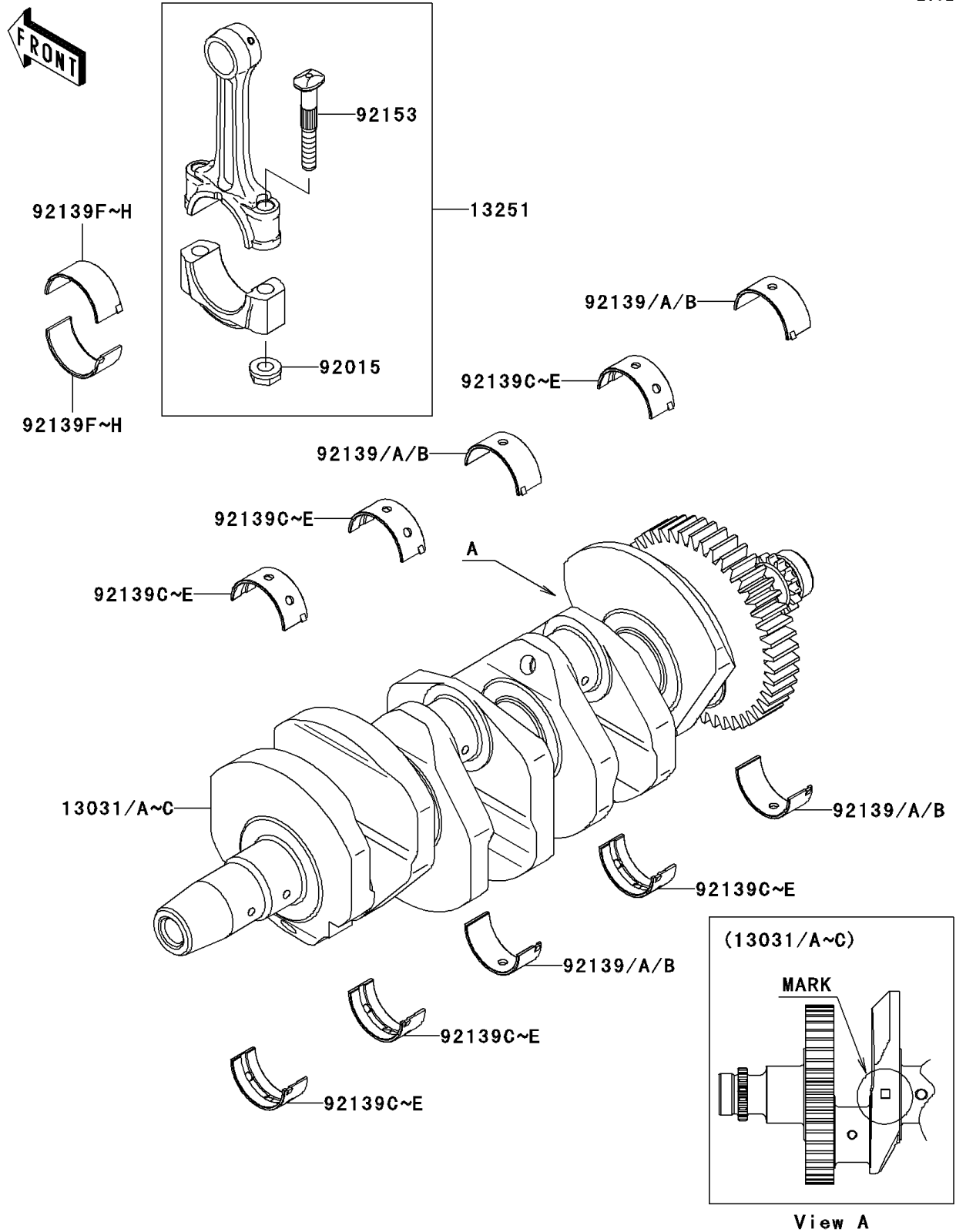


## 2006 NINJA® ZX™-6R PARTS DIAGRAM

Crankshaft

E1321



## 2006 NINJA® ZX™-6R PARTS LIST

### Crankshaft

| ITEM NAME                                    | PART NUMBER   | QUANTITY |
|--|---------------|----------|
| CRANKSHAFT-COMP,"A" MARK (Ref # 13031)       | 13031-0041    | 1        |
| CRANKSHAFT-COMP,NO MARK (Ref # 13031A)       | 13031-0042    | 1        |
| CRANKSHAFT-COMP,"B" MARK (Ref # 13031B)      | 13031-0043    | 1        |
| CRANKSHAFT-COMP,"C" MARK (Ref # 13031C)      | 13031-0044    | 1        |
| ROD-ASSY-CONNECTING,K (Ref # 13251)          | 13251-0008-KK | 1        |
| NUT,CONNECTING ROD,7MM (Ref # 92015)         | 92015-1527    | 1        |
| BUSHING,CRANK #3&#5,BLUE (Ref # 92139)       | 92139-0071    | 1        |
| BUSHING,CRANK #3&#5,BLACK (Ref # 92139A)     | 92139-0072    | 1        |
| BUSHING,CRANK #3&#5,BROWN (Ref # 92139B)     | 92139-0073    | 1        |
| BUSHING,CRANK #1&#2&#4,BLUE (Ref # 92139C)   | 92139-0074    | 1        |
| BUSHING,CRANK #1&#2&#4,BLACK (Ref # 92139D)  | 92139-0075    | 1        |
| BUSHING,CRANK #1&#2&#4,BROWN (Ref # 92139E)  | 92139-0076    | 1        |
| BUSHING,CONNECTING ROD,YELLOW (Ref # 92139F) | 92139-0087    | 1        |
| BUSHING,CONNECTING ROD,GREEN (Ref # 92139G)  | 92139-0088    | 1        |
| BUSHING,CONNECTING ROD,PURPLE (Ref # 92139H) | 92139-0089    | 1        |
| BOLT,7MM (Ref # 92153)                       | 92153-1172    | 1        |