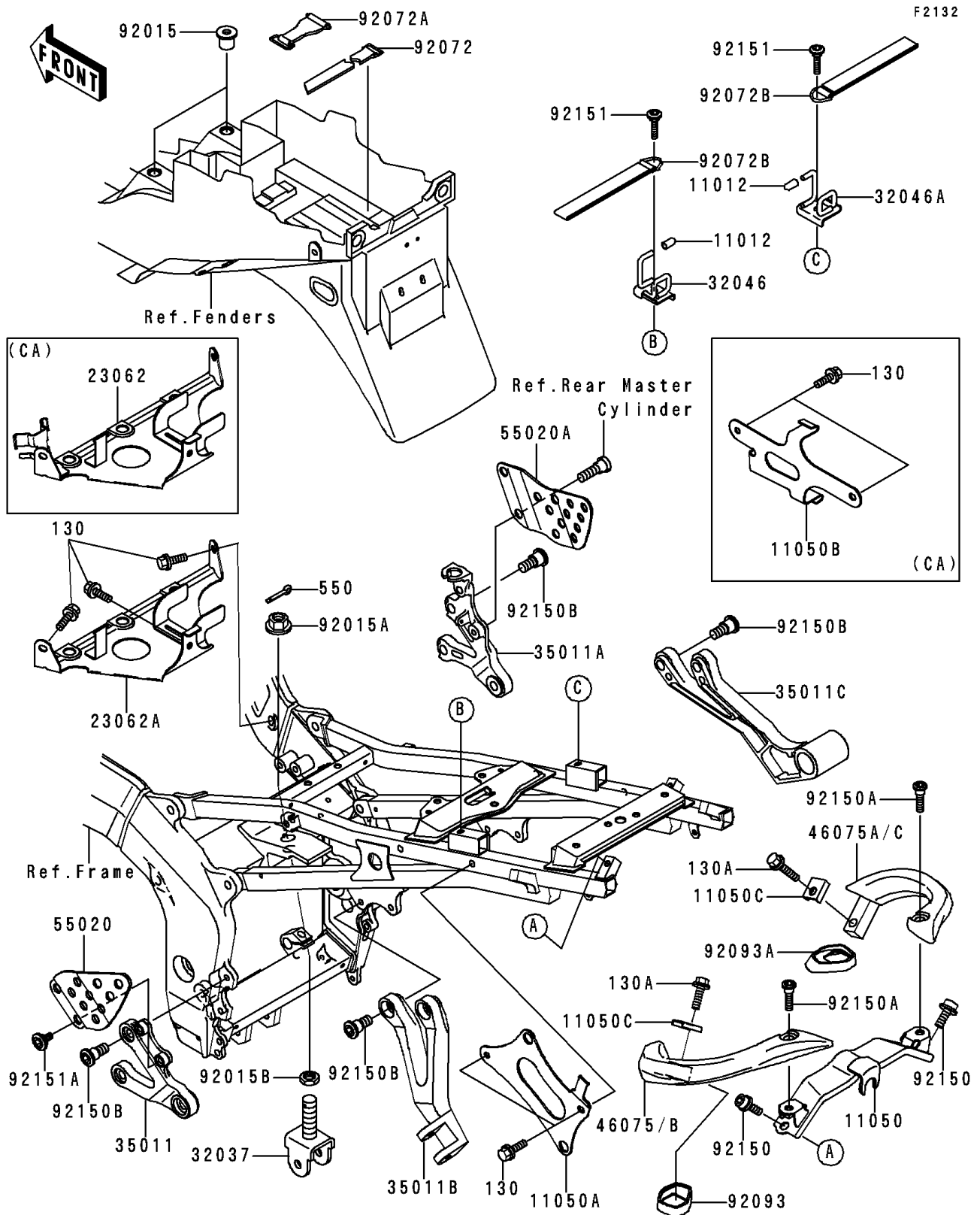


1998 NINJA® ZX™-6R PARTS DIAGRAM

Battery Case



1998 NINJA® ZX™-6R PARTS LIST

Battery Case

ITEM NAME	PART NUMBER	QUANTITY
CAP,BUNGEE CORD HOOK (Ref # 11012)	11012-1589	1
BRACKET,TAIL GRIP (Ref # 11050)	11050-1645	1
BRACKET,IGNITER (Ref # 11050A)	11050-1649	1
BRACKET,TAIL GRIP (Ref # 11050C)	11050-1797	1
BRACKET-SHOCKABSORBER (Ref # 32037)	32037-1767	1
BRACKET-SEAT,RR,LH (Ref # 32046)	32046-1453	1
BRACKET-SEAT,RR,RH (Ref # 32046A)	32046-1454	1
STAY,FR,STEP,LH,SILVER (Ref # 35011)	35011-1874	1
STAY,FR,STEP,RH,SILVER (Ref # 35011A)	35011-1875	1
STAY,RR STEP,LH,SILVER (Ref # 35011B)	35011-1878-TX	1
STAY,RR STEP,RH,SILVER (Ref # 35011C)	35011-1879-TX	1
GRIP,RR,LH,F.BLACK (Ref # 46075)	46075-1147-21	1
GRIP,RR,RH,F.BLACK (Ref # 46075A)	46075-1148-21	1
GUARD,FR STEP STAY,LH (Ref # 55020)	55020-1627	1
GUARD,FR STEP STAY,RH (Ref # 55020A)	55020-1628	1
NUT (Ref # 92015)	92015-1700	1
NUT,FLANGED,16MM (Ref # 92015A)	92015-1881	1
NUT,16MM (Ref # 92015B)	92015-1953	1
BAND,L=470 (Ref # 92072)	92072-1331	1
BAND,U LOCK (Ref # 92072A)	92072-1355	1
BAND,L=122 (Ref # 92072B)	92072-1363	1
SEAL,REAR GRIP,LH (Ref # 92093)	92093-1476	1
SEAL,REAR GRIP,RH (Ref # 92093A)	92093-1477	1
BOLT,SOCKET,8X20 (Ref # 92150)	92150-1155	1
BOLT,SOCKET,8X40 (Ref # 92150A)	92150-1735	1
BOLT,SOCKET,8X20 (Ref # 92150B)	92150-1839	1
BOLT,6X28 (Ref # 92151)	92151-1276	1
BOLT,6MM (Ref # 92151A)	92151-1334	1
BOLT-FLANGED,8X30 (Ref # 130A)	130J0830	1

1998 NINJA® ZX™-6R PARTS LIST

Battery Case

ITEM NAME	PART NUMBER	QUANTITY
PIN-COTTER,4.0X25 (Ref # 550)	550D4025	1
BOLT-FLANGED,6X16,BLACK (Ref # 130)	130J0616	2
BRACKET,CANISTER (Ref # 11050B)	11050-1733	1
BRACKET-COMP,FUEL PUMP (Ref # 23062)	23062-1125	1
BRACKET-COMP,FUEL PUMP (Ref # 23062A)	23062-1127	1