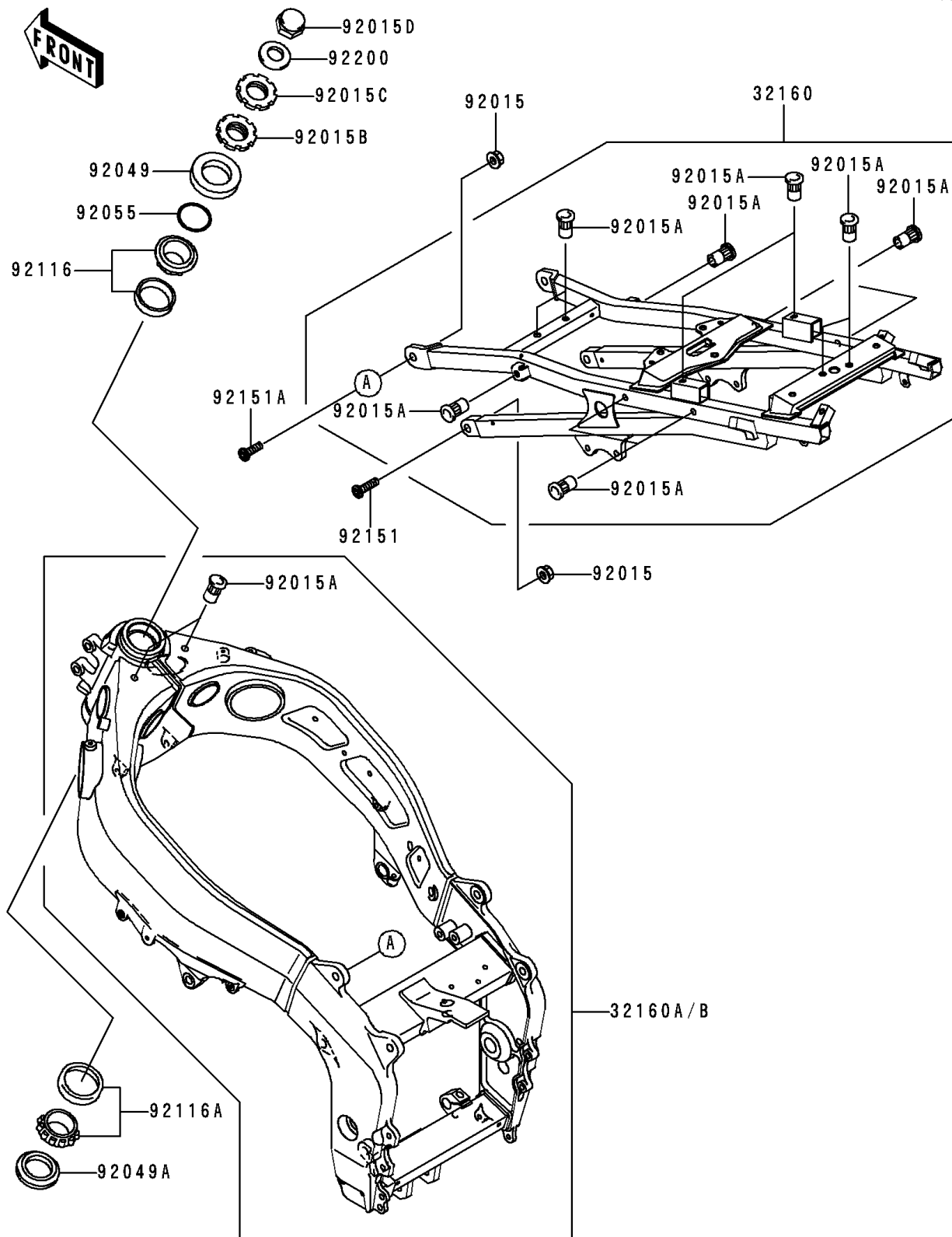


1998 NINJA® ZX™-6R PARTS DIAGRAM

Frame

F2120



1998 NINJA® ZX™-6R PARTS LIST

Frame

ITEM NAME	PART NUMBER	QUANTITY
FRAME-COMP,AL,RR,SILVER (Ref # 32160)	32160-1520-TX	1
FRAME-COMP,AL,FR,SILVER (Ref # 32160A)	32160-1570-TX	1
NUT,FLANGED,10MM (Ref # 92015)	92015-1415	1
NUT,POP,6MM,L=15 (Ref # 92015A)	92015-1791	1
NUT,25MM (Ref # 92015B)	92015-1803	1
NUT,25MM (Ref # 92015C)	92015-1810	1
NUT,CAP,22MM (Ref # 92015D)	92015-1873	1
SEAL-OIL, XMH33 70 6.4J-A (Ref # 92049)	92049-1313	1
SEAL-OIL, XMHE 43 55 4J (Ref # 92049A)	92049-1383	1
RING-O, ID=24.5 (Ref # 92055)	92055-1459	1
BEARING-ROLLER, HI-CAP32005JR-1 (Ref # 92116)	92116-1056	1
BEARING-ROLLER, 32907JR-2 (Ref # 92116A)	92116-1072	1
BOLT, SOCKET, 10X35 (Ref # 92151)	92151-1371	1
BOLT, SOCKET, 10X30 (Ref # 92151A)	92151-1372	1
WASHER, 22.5X36X3.2 (Ref # 92200)	92200-1126	1