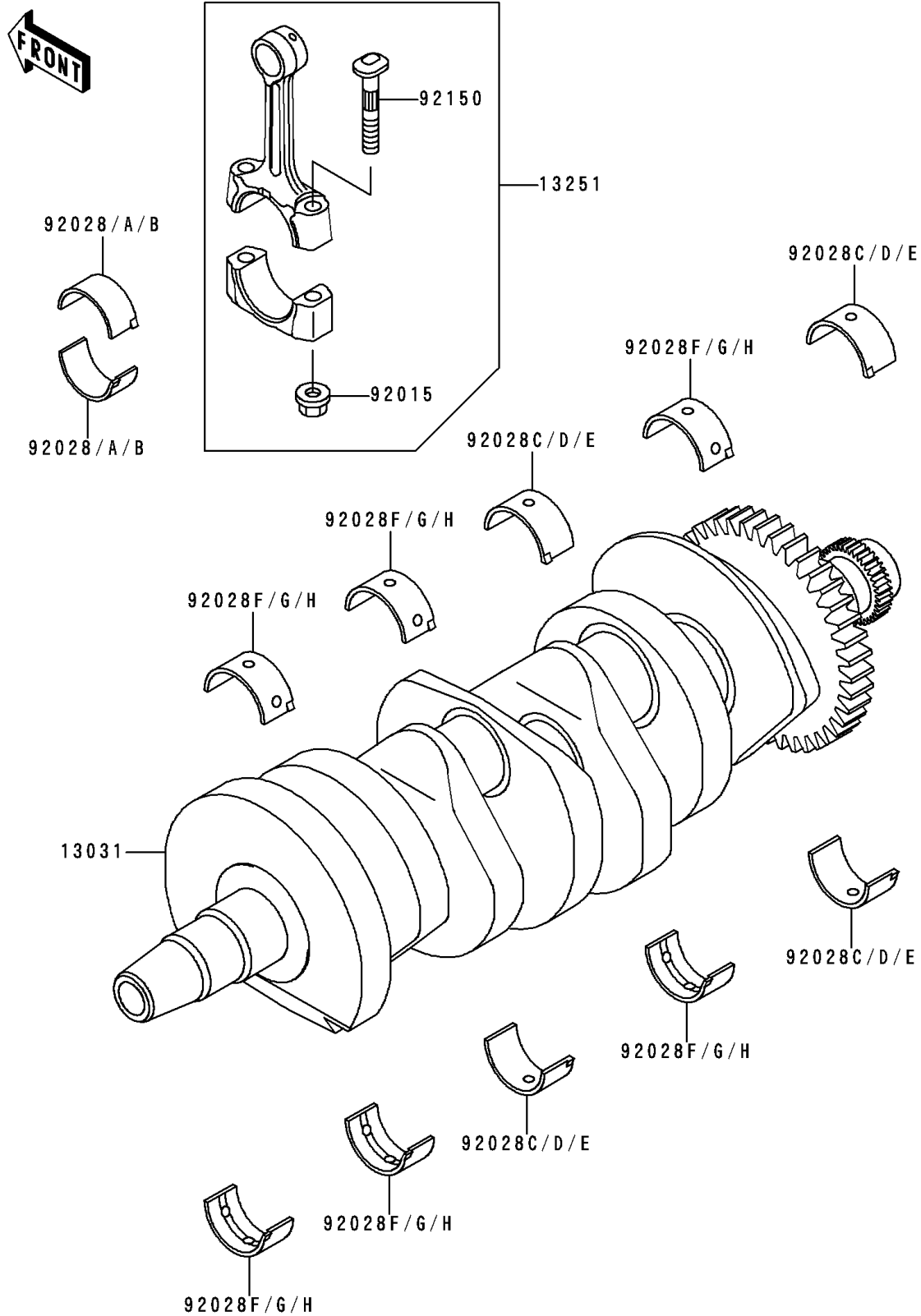


1998 NINJA® ZX™-6R PARTS DIAGRAM

Crankshaft

E1321



1998 NINJA® ZX™-6R PARTS LIST

Crankshaft

| ITEM NAME | PART NUMBER | QUANTITY |
|---|---------------|----------|
| CRANKSHAFT-COMP (Ref # 13031) | 13031-1437 | 1 |
| ROD-ASSY-CONNECTING,J (Ref # 13251) | 13251-1120-JJ | 1 |
| NUT,CONNECTING ROD,7MM (Ref # 92015) | 92015-1527 | 1 |
| BUSHING,CONNECTING ROD,BLACK (Ref # 92028) | 92028-1878 | 1 |
| BUSHING,CONNECTING ROD,BROWN (Ref # 92028A) | 92028-1879 | 1 |
| BUSHING,CONNECTING ROD,PINK (Ref # 92028B) | 92028-1880 | 1 |
| BUSHING,CRANKSHAFT,BLUE (Ref # 92028C) | 92028-1881 | 1 |
| BUSHING,CRANKSHAFT,BLACK (Ref # 92028D) | 92028-1882 | 1 |
| BUSHING,CRANKSHAFT,BROWN (Ref # 92028E) | 92028-1883 | 1 |
| BUSHING,CRANKSHAFT,BLUE (Ref # 92028F) | 92028-1884 | 1 |
| BUSHING,CRANKSHAFT,BLACK (Ref # 92028G) | 92028-1885 | 1 |
| BUSHING,CRANKSHAFT,BROWN (Ref # 92028H) | 92028-1886 | 1 |
| BOLT,CONNECTING ROD,7MM (Ref # 92150) | 92150-1683 | 1 |