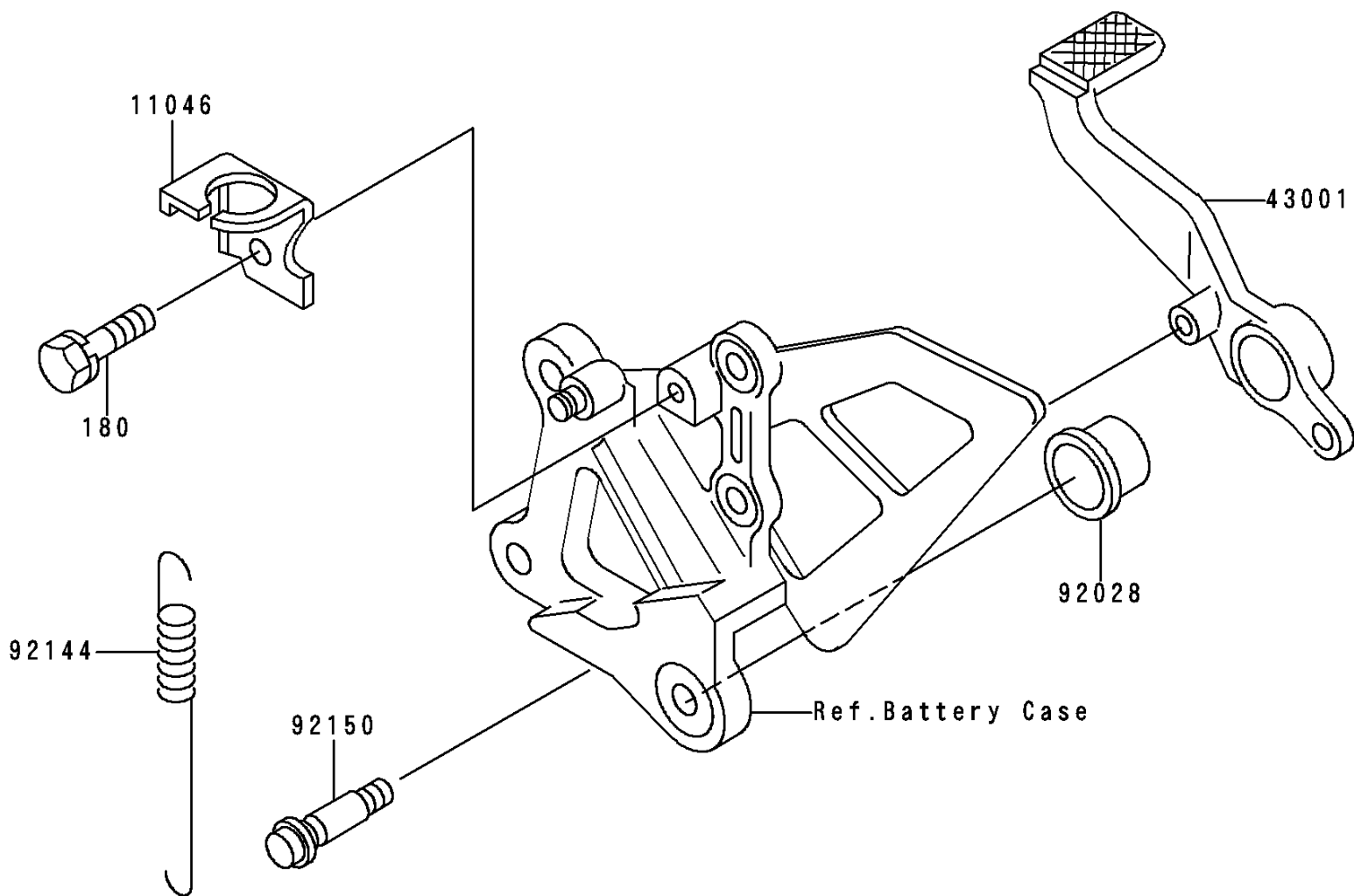


1995 NINJA® ZX™-6R PARTS DIAGRAM

Brake Pedal/Torque Link

F2260



1995 NINJA® ZX™-6R PARTS LIST

Brake Pedal/Torque Link

ITEM NAME	PART NUMBER	QUANTITY
BOLT-UPSET-WS (Ref # 180)	180H0614	1
BRACKET,REAR BRAKE SWITCH (Ref # 11046)	11046-1252	1
LEVER-BRAKE,PEDAL (Ref # 43001)	43001-1274	1
BUSHING (Ref # 92028)	92028-1576	1
SPRING,BRAKE PEDAL RETURN (Ref # 92144)	92144-1421	1
BOLT (Ref # 92150)	92150-1439	1