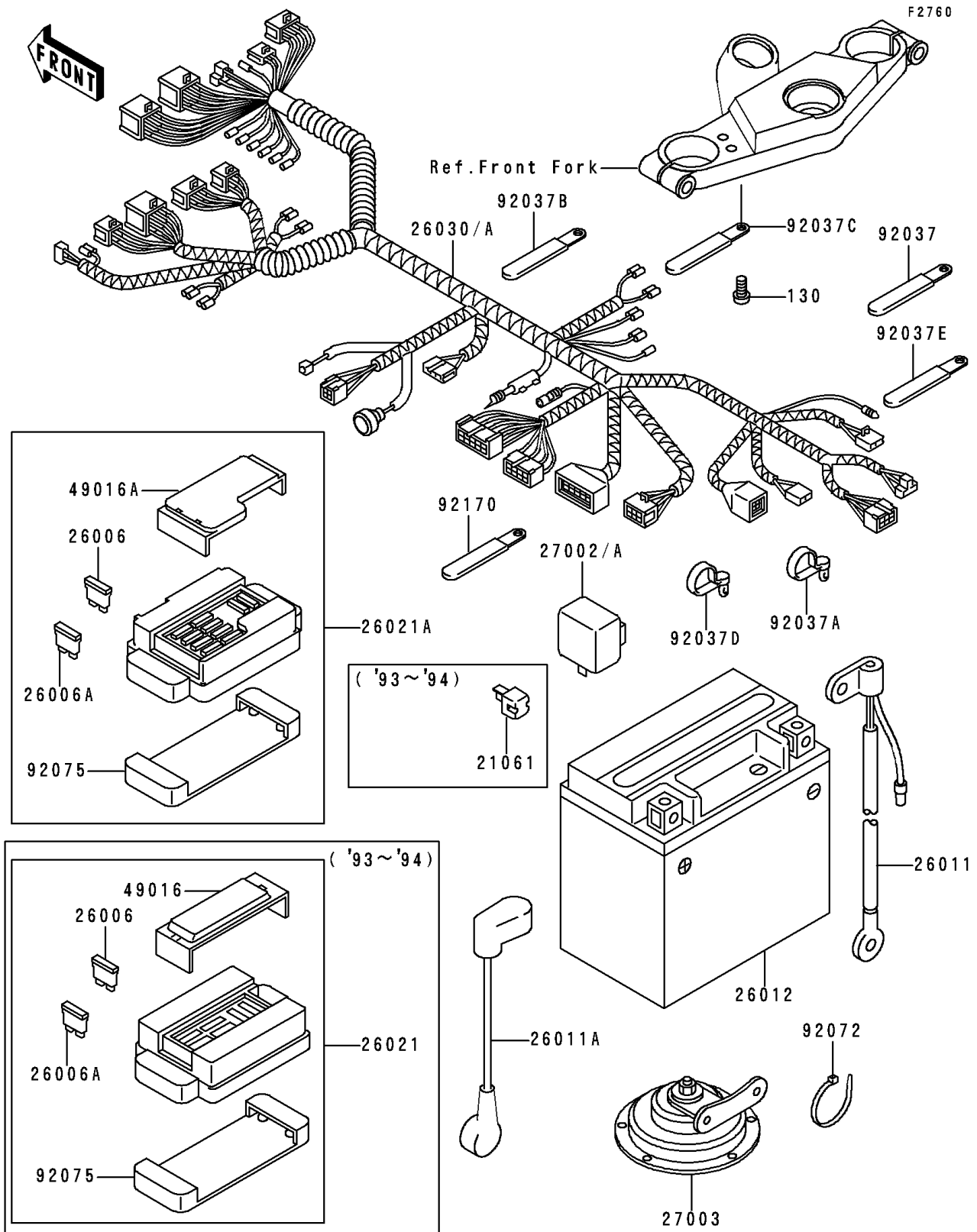


## 1993 NINJA® ZX™-6 PARTS DIAGRAM

Chassis Electrical Equipment



## 1993 NINJA® ZX™-6 PARTS LIST

Chassis Electrical Equipment

ITEM NAME	PART NUMBER	QUANTITY
BOLT-FLANGED,6X14,BLACK (Ref # 130)	130J0614	1
RECTIFIER (Ref # 21061)	21061-1003	1
FUSE,30A-G (Ref # 26006)	26006-1067	1
FUSE,10A-R (Ref # 26006A)	26006-1068	1
WIRE-LEAD,BATTERY(-) (Ref # 26011)	26011-1429	1
WIRE-LEAD,BATTERY(+) (Ref # 26011A)	26011-1540	1
BATTERY,YTX12-BS,12V 10AH (Ref # 26012)	26012-1281	1
JUNCTION BOX (Ref # 26021)	26021-1077	1
HARNESS,MAIN (Ref # 26030)	26030-1171	1
RELAY-ASSY,TURN SIGNAL (Ref # 27002)	27002-1060	1
HORN (Ref # 27003)	27003-1316	1
COVER-SEAL,FUSE (Ref # 49016)	49016-1125	1
CLAMP,WIRING HARNESS,L=60 (Ref # 92037)	92037-1069	1
CLAMP,SPEED,L=43 (Ref # 92037B)	92037-1290	1
CLAMP,L=45 (Ref # 92037C)	92037-1539	1
CLAMP,WIRING HARNESS (Ref # 92037D)	92037-1877	1
CLAMP,SPEED,L=80.5 (Ref # 92037E)	92037-1903	1
BAND,L=185 (Ref # 92072)	92072-1195	1
DAMPER,JUNCTION BOX (Ref # 92075)	92075-1688	1
CLAMP,L=150 (Ref # 92170)	92170-1114	1