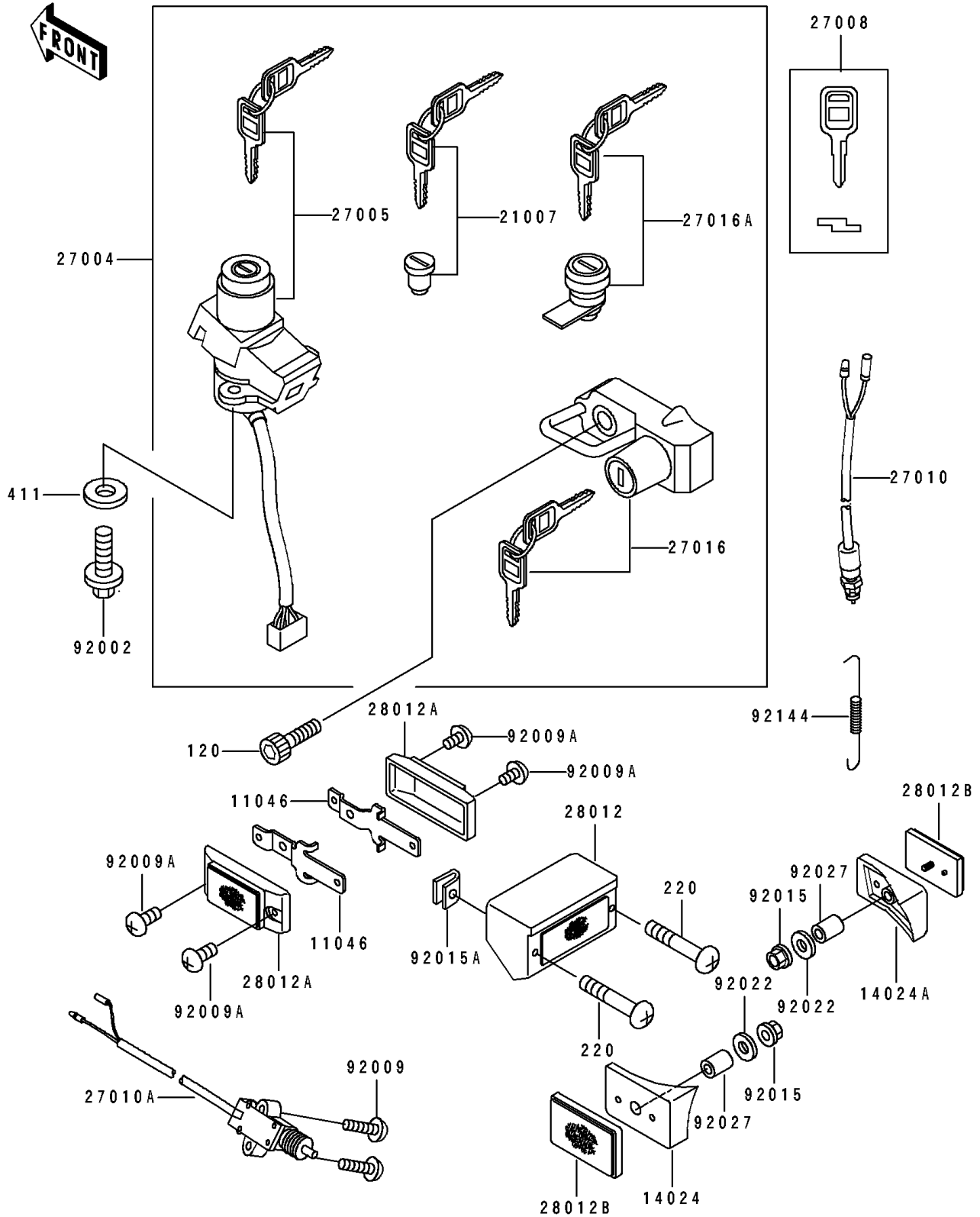


## 1991 NINJA® ZX™-6 PARTS DIAGRAM

Ignition Switch

F2770



## 1991 NINJA® ZX™-6 PARTS LIST

### Ignition Switch

ITEM NAME	PART NUMBER	QUANTITY
BRACKET,FR REFLECTOR (Ref # 11046)	11046-1945	1
COVER,REFLECTOR,LH (Ref # 14024)	14024-1940	1
COVER,REFLECTOR,RH (Ref # 14024A)	14024-1941	1
ROTOR,LOCK,TANK CAP (Ref # 21007)	21007-5027	1
SWITCH-ASSY (Ref # 27004)	27004-5386	1
SWITCH-ASSY-IGNITION (Ref # 27005)	27005-5081	1
KEY-LOCK,BLANK (Ref # 27008)	27008-1103	1
SWITCH,BRAKE LAMP (Ref # 27010)	27010-1093	1
SWITCH,SIDE STAND (Ref # 27010A)	27010-1226	1
LOCK-ASSY,HELMET (Ref # 27016)	27016-5163	1
LOCK-ASSY,TOOL BOX (Ref # 27016A)	27016-5164	1
REFLECTOR-REFLEX,RR (Ref # 28012)	28012-1069	1
REFLECTOR-REFLEX,FR (Ref # 28012A)	28012-1070	1
REFLECTOR-REFLEX,RR (Ref # 28012B)	28012-1072	1
BOLT,TORX,6X16 (Ref # 92002)	92002-1333	1
SCREW,5X22 (Ref # 92009)	92009-1492	1
SCREW,5X8 (Ref # 92009A)	92009-1650	1
NUT,FLANGED,5MM (Ref # 92015)	92015-1259	1
NUT,5MM (Ref # 92015A)	92015-1798	1
WASHER,5.2X16X1.2 (Ref # 92022)	92022-263	1
COLLAR,5X8X14.5 (Ref # 92027)	92027-1789	1
SPRING,REAR BRAKE SWITCH (Ref # 92144)	92144-1283	1
BOLT-SOCKET,6X16,BLACK (Ref # 120)	120S0616	1
SCREW-PAN-CROS,5X55 (Ref # 220)	220C0555	1
WASHER-PLAIN,6MM (Ref # 411)	411E0600	1