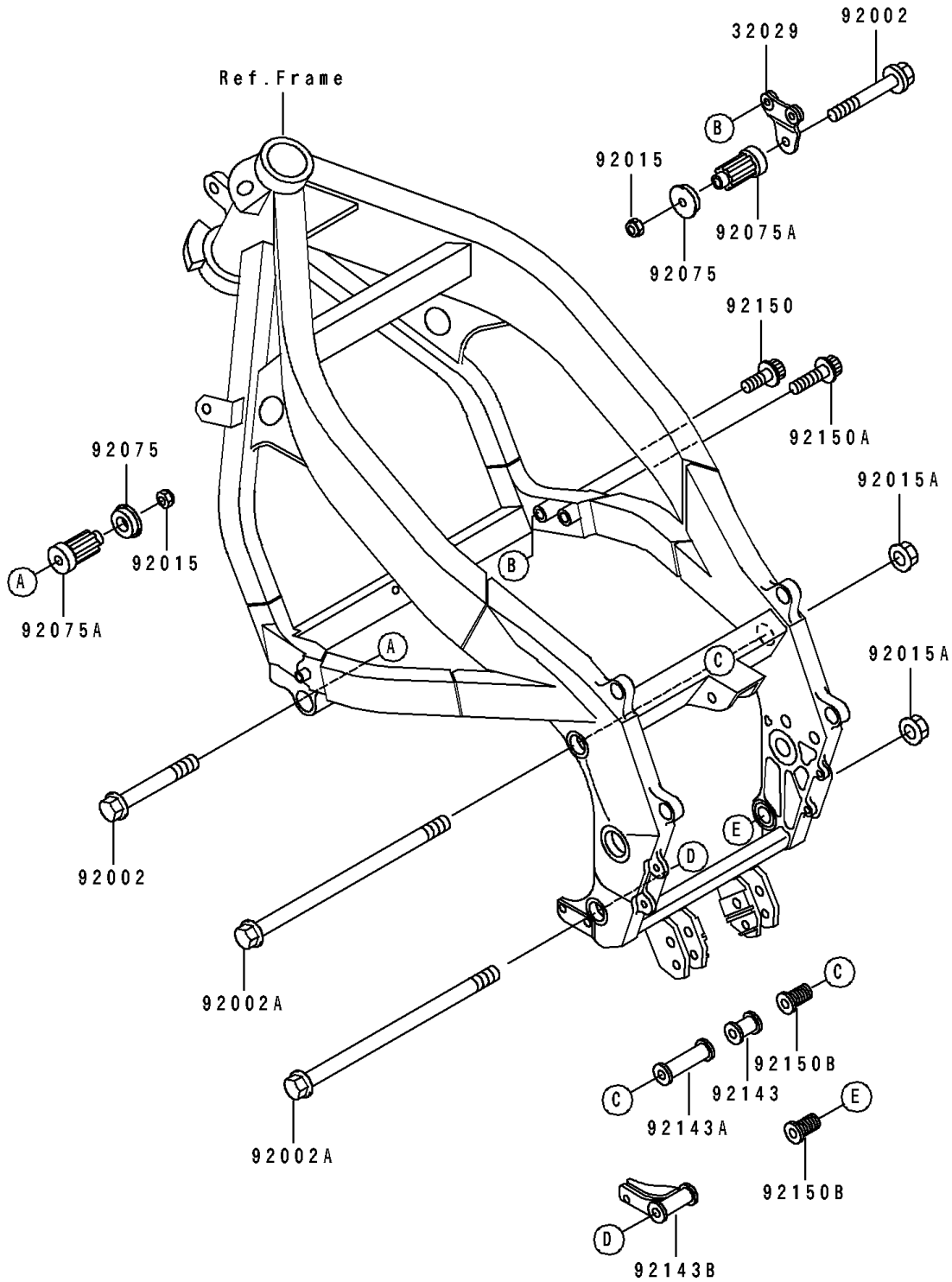


1991 NINJA® ZX™-6 PARTS DIAGRAM

Frame Fitting

F2131



1991 NINJA® ZX™-6 PARTS LIST

Frame Fitting

| ITEM NAME | PART NUMBER | QUANTITY |
|---|-------------|----------|
| BRACKET-ENGINE,FR,RH (Ref # 32029) | 32029-1713 | 1 |
| BOLT,FLANGED,10X87 (Ref # 92002) | 92002-1298 | 1 |
| BOLT,FLANGED,10X280 (Ref # 92002A) | 92002-1530 | 1 |
| NUT,LOCK,10MM,BLACK (Ref # 92015) | 92015-1189 | 1 |
| NUT,FLANGED,10MM (Ref # 92015A) | 92015-1428 | 1 |
| DAMPER,ENGINE MOUNT,SIDE (Ref # 92075) | 92075-1274 | 1 |
| DAMPER,ENGINE MOUNT,MAIN (Ref # 92075A) | 92075-1739 | 1 |
| COLLAR,L=34 (Ref # 92143) | 92143-1276 | 1 |
| COLLAR,L=72.5 (Ref # 92143A) | 92143-1421 | 1 |
| COLLAR,ENGINE MOUNT (Ref # 92143B) | 92143-1439 | 1 |
| BOLT,SOCKET,8X20 (Ref # 92150) | 92150-1155 | 1 |
| BOLT,SOCKET,8X30 (Ref # 92150A) | 92150-1156 | 1 |
| BOLT,20X30 (Ref # 92150B) | 92150-1264 | 1 |