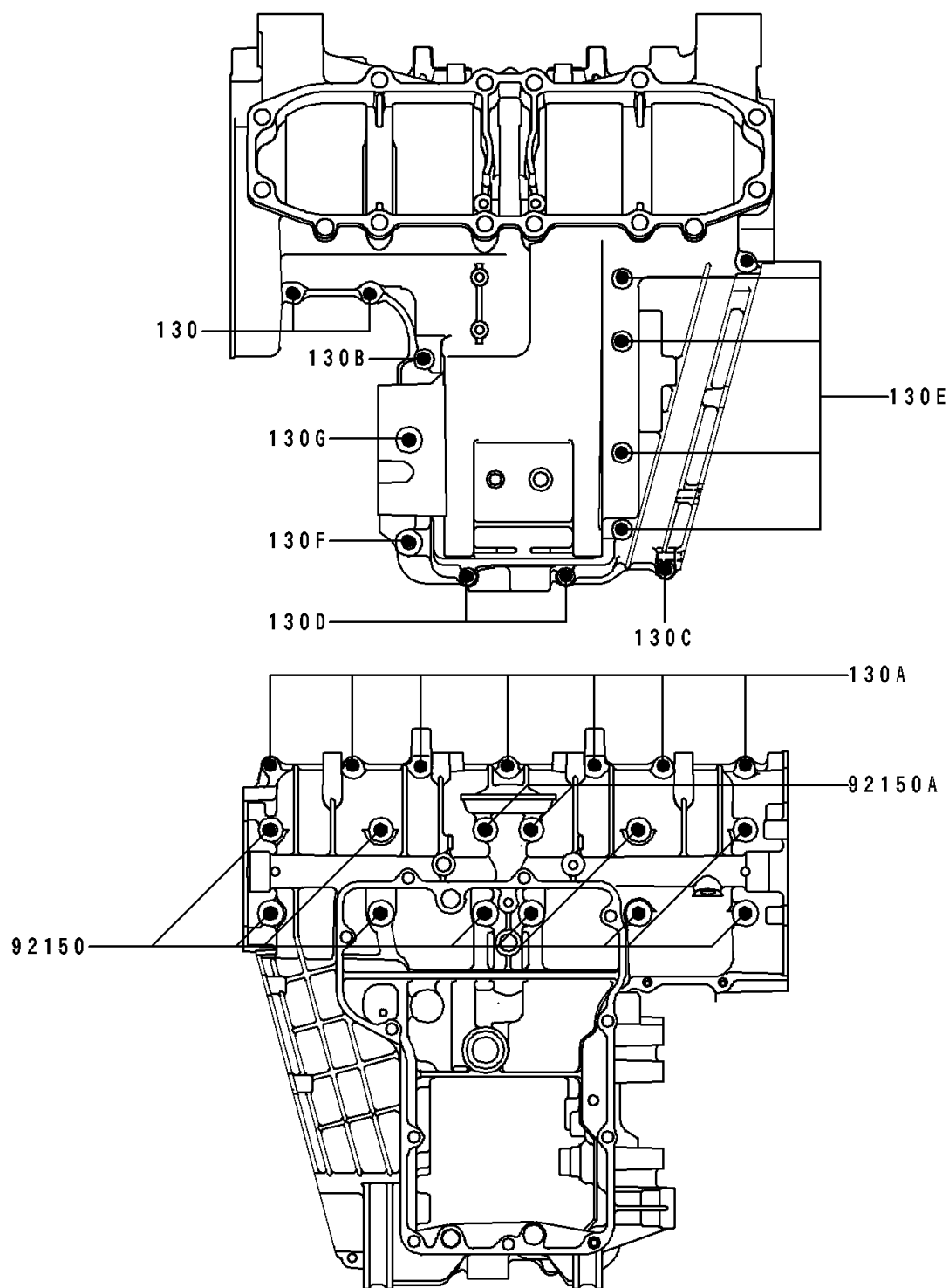


1991 NINJA® ZX™-6 PARTS DIAGRAM

Crankcase Bolt Pattern

E 14 12



1991 NINJA® ZX™-6 PARTS LIST

Crankcase Bolt Pattern

ITEM NAME	PART NUMBER	QUANTITY
BOLT,8X90 (Ref # 92150)	92150-1163	1
BOLT,8X120 (Ref # 92150A)	92150-1424	1
BOLT-FLANGED,6X30 (Ref # 130)	130G0630	1
BOLT-FLANGED,6X35 (Ref # 130A)	130G0635	1
BOLT-FLANGED,6X45 (Ref # 130B)	130G0645	1
BOLT-FLANGED,6X60 (Ref # 130C)	130G0660	1
BOLT-FLANGED,6X75 (Ref # 130D)	130G0675	1
BOLT-FLANGED,6X90 (Ref # 130E)	130G0690	1
BOLT-FLANGED,8X70 (Ref # 130F)	130P0870	1
BOLT-FLANGED,8X95 (Ref # 130G)	130P0895	1