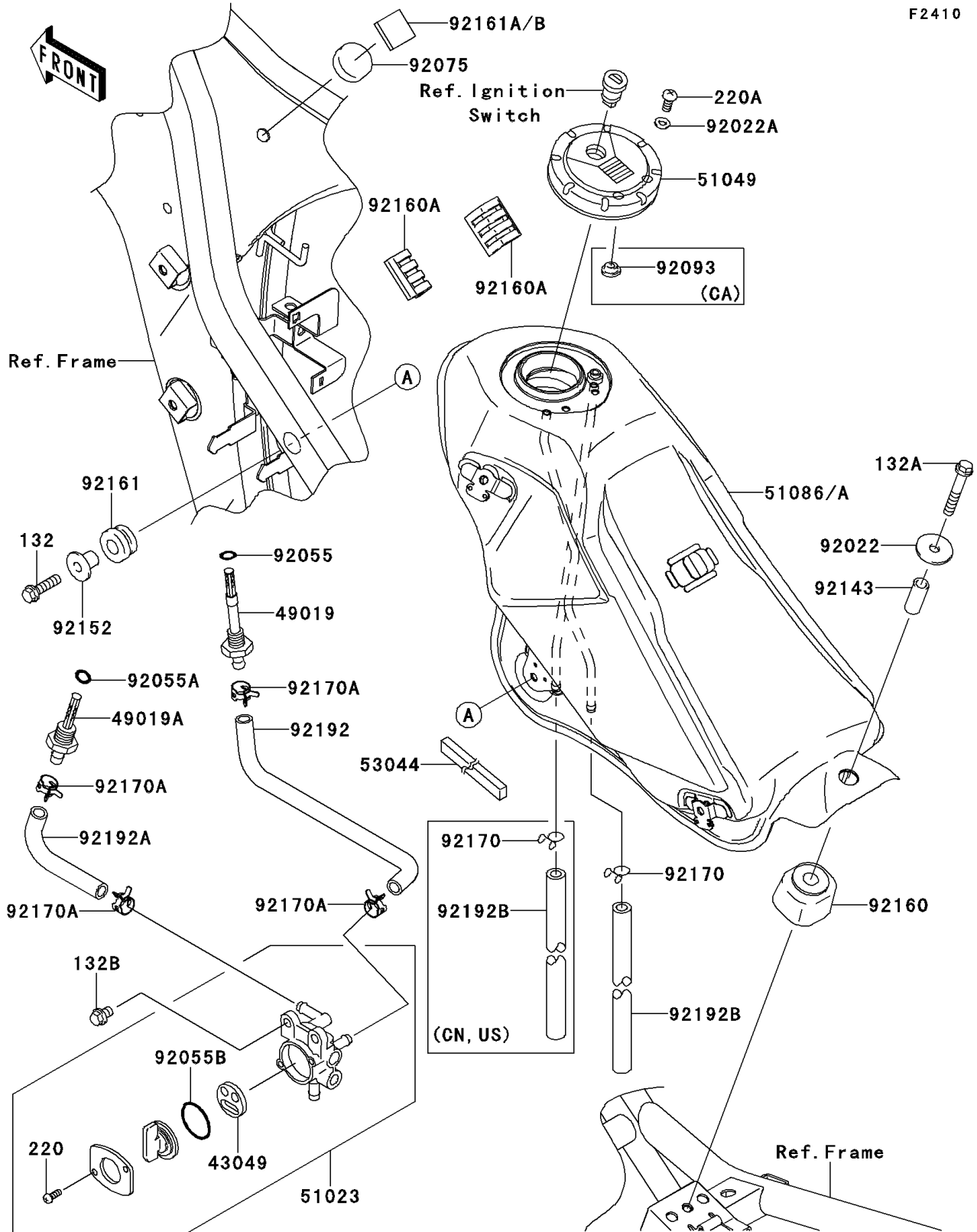


2009 KLX250SF PARTS DIAGRAM

Fuel Tank

F2410



2009 KLX250SF PARTS LIST

Fuel Tank

ITEM NAME	PART NUMBER	QUANTITY
PACKING,TAP VALVE (Ref # 43049)	43049-1091	1
FILTER-FUEL,"ON" (Ref # 49019)	49019-0009	1
FILTER-FUEL,"RES" (Ref # 49019A)	49019-1057	1
TAP-ASSY,FUEL (Ref # 51023)	51023-1322	1
CAP-TANK,FUEL (Ref # 51049)	51049-1134	1
TRIM,L=490 (Ref # 53044)	53044-1209	1
WASHER,6.5X24X2 (Ref # 92022)	92022-1690	1
WASHER,5.1X10X1.0 (Ref # 92022A)	92022-1977	1
RING-O,ID=9.5 (Ref # 92055)	92055-1386	1
RING-O,11.5X1.5 (Ref # 92055A)	92055-1387	1
RING-O,TAP LEVER (Ref # 92055B)	92055-1419	1
DAMPER (Ref # 92075)	92075-281	1
COLLAR,6.8X10X24.5 (Ref # 92143)	92143-1459	1
COLLAR (Ref # 92152)	92152-0604	1
DAMPER,FUEL TANK,RR (Ref # 92160)	92160-1254	1
DAMPER,FUEL TANK (Ref # 92160A)	92160-1328	1
DAMPER,10X20X5 (Ref # 92161)	92161-1414	1
DAMPER,20X20X4 (Ref # 92161A)	92161-1429	1
DAMPER,20X20X6 (Ref # 92161B)	92161-1430	1
CLAMP (Ref # 92170A)	92170-1872	1
TUBE,FUEL,ON (Ref # 92192)	92192-0706	1
TUBE,FUEL,RESERVE (Ref # 92192A)	92192-0707	1
BOLT-FLANGED-SMALL,6X22 (Ref # 132)	132BA0622	1
BOLT-FLANGED-SMALL,6X35 (Ref # 132A)	132BA0635	1
BOLT-FLANGED-SMALL,6X8 (Ref # 132B)	132BB0608	1
SCREW-PAN-CROS,3X8 (Ref # 220)	220AA0308	1
SCREW-PAN-CROSS,5X10 (Ref # 220A)	220AA0510	1
TANK-COMP-FUEL,F.S.BLACK (Ref # 51086)	51086-5063-25Q	1
TANK-COMP-FUEL,F.S.BLACK (Ref # 51086A)	51086-5064-25Q	1

2009 KLX250SF PARTS LIST

Fuel Tank

ITEM NAME	PART NUMBER	QUANTITY
SEAL,FUEL TANK CAP (Ref # 92093)	92093-1030	1
CLAMP,TUBE (Ref # 92170)	92170-1834	2
TUBE,7X12X700 (Ref # 92192B)	92192-0778	2