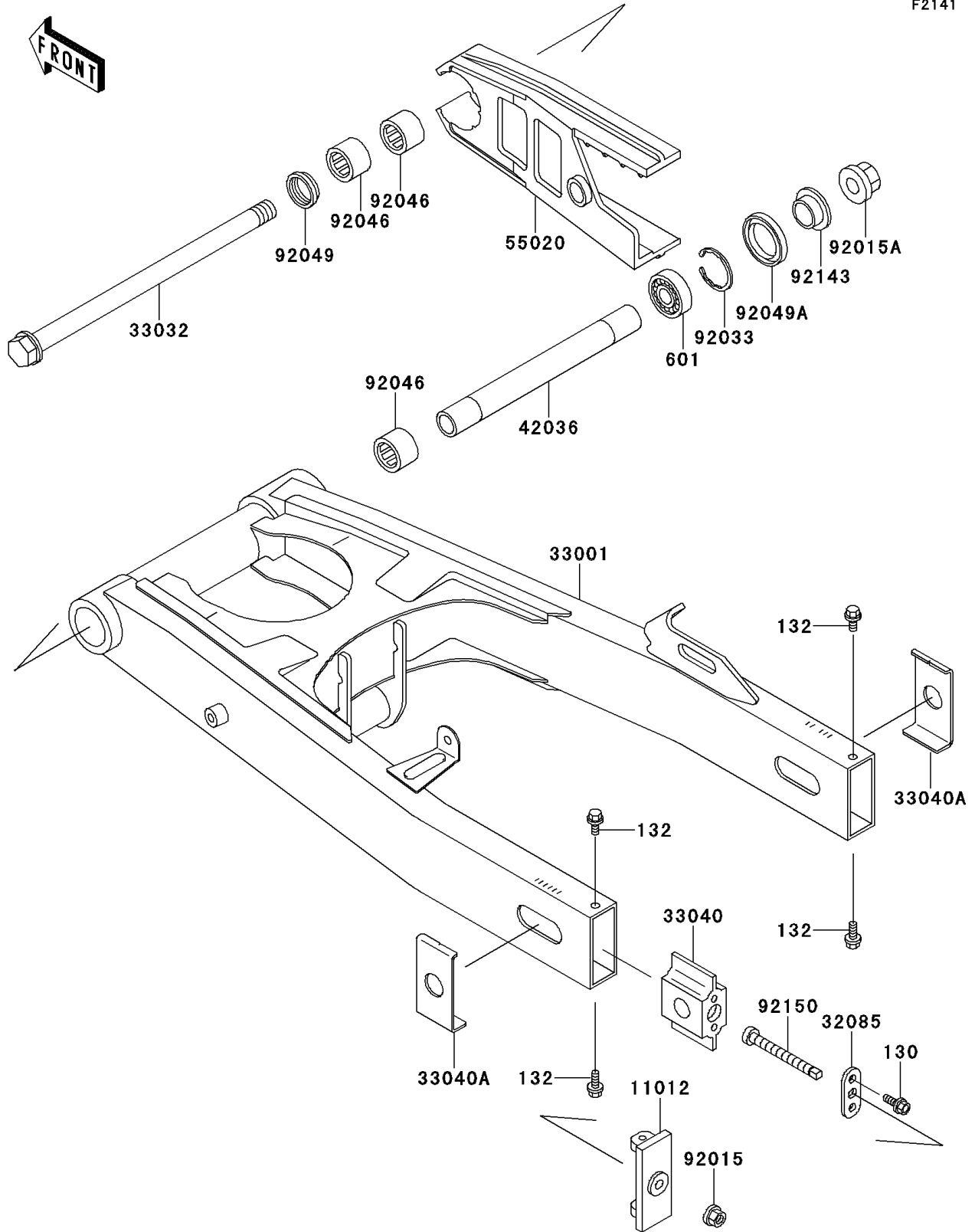


## 1995 GPZ1100 PARTS DIAGRAM

Swingarm

F2141



## 1995 GPZ1100 PARTS LIST

### Swingarm

| ITEM NAME                                | PART NUMBER | QUANTITY |
|--|-------------|----------|
| BOLT-FLANGED (Ref # 130)                 | 130P0616    | 1        |
| BOLT-FLANGED-SMALL (Ref # 132)           | 132J0612    | 1        |
| BEARING-BALL,#6004 (Ref # 601)           | 601A6004    | 1        |
| CAP,CHAIN ADJUSTER (Ref # 11012)         | 11012-1911  | 1        |
| STOPPER,CHAIN ADJUSTER (Ref # 32085)     | 32085-1408  | 1        |
| ARM-COMP-SWING (Ref # 33001)             | 33001-1474  | 1        |
| SHAFT-SWING ARM (Ref # 33032)            | 33032-1170  | 1        |
| ADJUSTER-CHAIN,INNER (Ref # 33040)       | 33040-1142  | 1        |
| ADJUSTER-CHAIN,OUTER (Ref # 33040A)      | 33040-1143  | 1        |
| SLEEVE,SWING ARM,L=227.2 (Ref # 42036)   | 42036-1236  | 1        |
| GUARD,CHAIN (Ref # 55020)                | 55020-1529  | 1        |
| NUT,FLANGED,8MM,BLACK (Ref # 92015)      | 92015-1183  | 1        |
| NUT,FLANGED,20MM (Ref # 92015A)          | 92015-1724  | 1        |
| RING-SNAP,42MM (Ref # 92033)             | 92033-1041  | 1        |
| BEARING-NEEDLE,BM2817 (Ref # 92046)      | 92046-1111  | 1        |
| SEAL-OIL (Ref # 92049)                   | 92049-1181  | 1        |
| SEAL-OIL,TC28426.5 (Ref # 92049A)        | 92049-1185  | 1        |
| COLLAR,SWING ARM,RH,L=12.5 (Ref # 92143) | 92143-1727  | 1        |
| BOLT,CHAIN ADJUSTER (Ref # 92150)        | 92150-1285  | 1        |