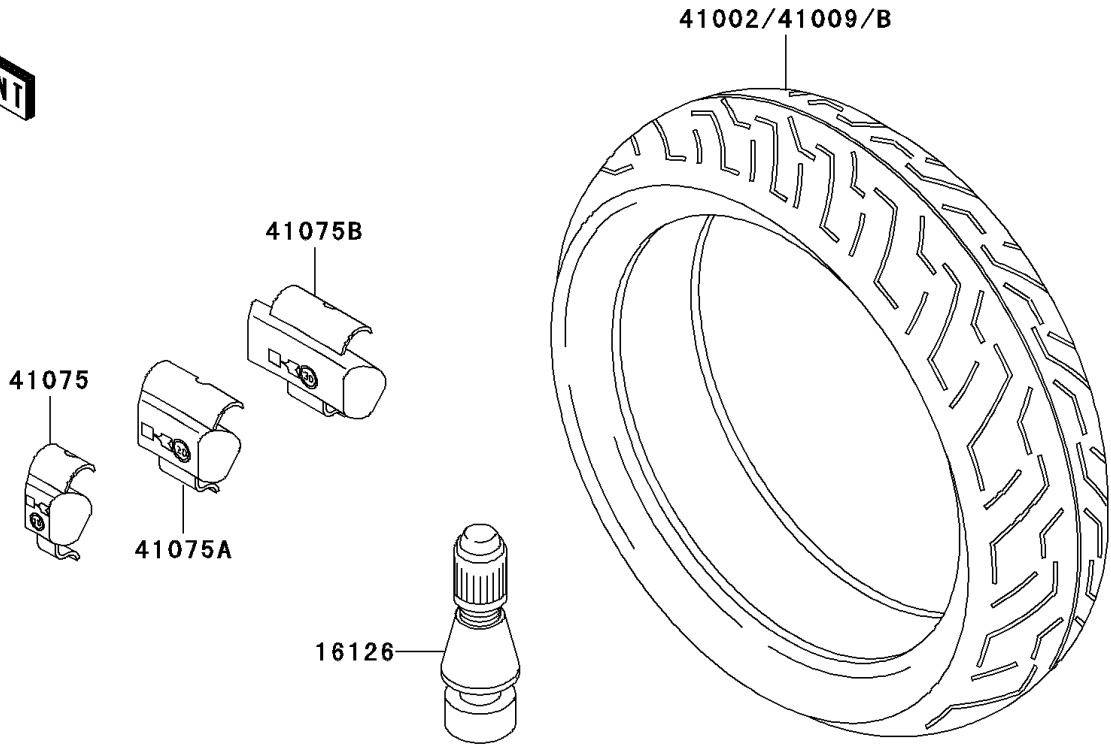
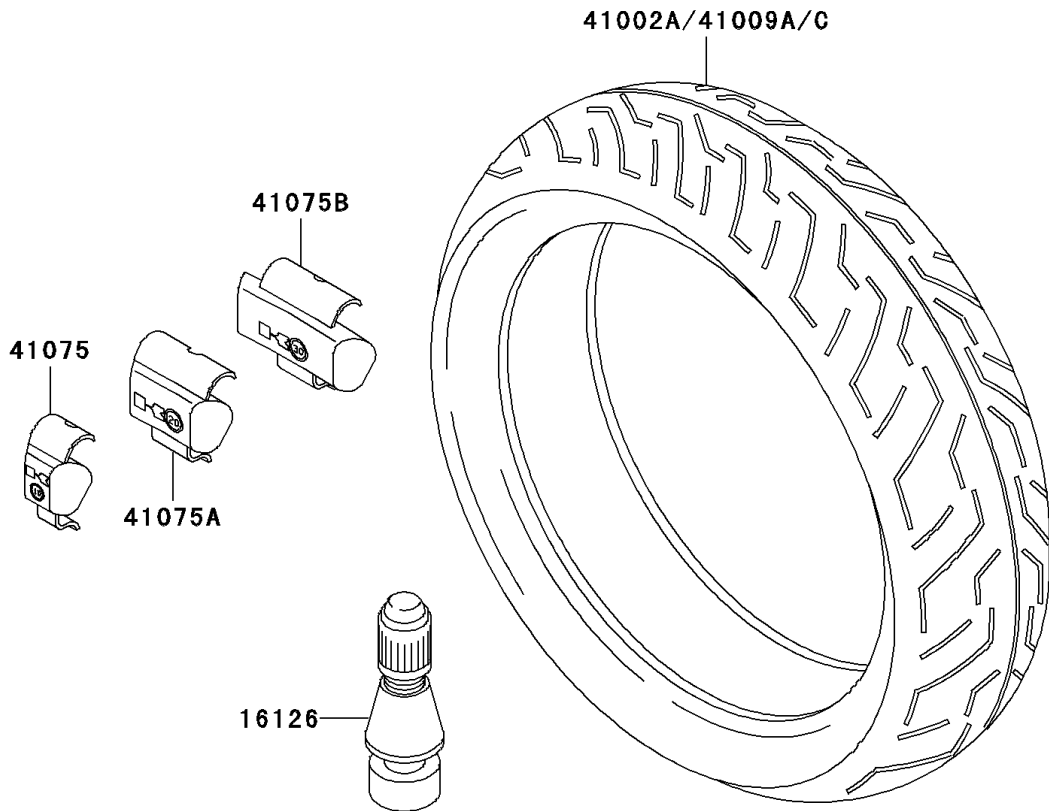


1996 NINJA® ZX™-11 PARTS DIAGRAM

Tires



F2210



1996 NINJA® ZX™-11 PARTS LIST

Tires

| ITEM NAME | PART NUMBER | QUANTITY |
|---|-------------|----------|
| VALVE,TIRE (Ref # 16126) | 16126-1140 | 1 |
| TIRE,FR,120/70ZR17(58W),BT-50F (Ref # 41002) | 41002-1948 | 1 |
| TIRE,RR,180/55ZR17(73W),BT-50R (Ref # 41002A) | 41002-1949 | 1 |
| BALANCER-WHEEL,10G,SILVER (Ref # 41075) | 41075-1014 | 1 |
| BALANCER-WHEEL,20G,SILVER (Ref # 41075A) | 41075-1015 | 1 |
| BALANCER-WHEEL,30G,SILVER (Ref # 41075B) | 41075-1016 | 1 |