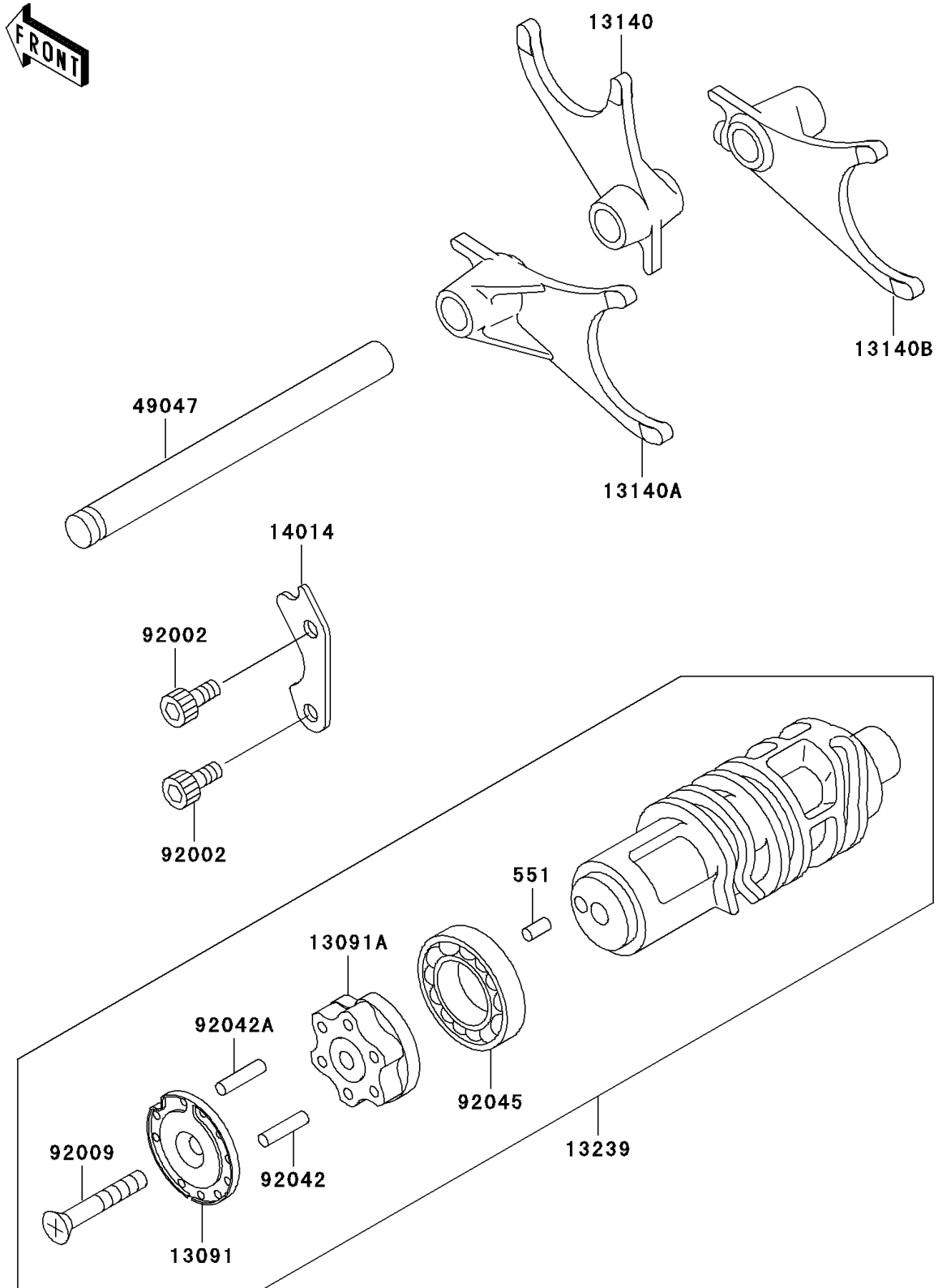


1996 NINJA® ZX™-11 PARTS DIAGRAM

Gear Change Drum/Shift Fork(s)

E1362



1996 NINJA® ZX™-11 PARTS LIST

Gear Change Drum/Shift Fork(s)

| ITEM NAME | PART NUMBER | QUANTITY |
|--|-------------|----------|
| PIN-DOWEL,4X8 (Ref # 551) | 551A0408 | 1 |
| HOLDER,NEUTRAL (Ref # 13091) | 13091-1334 | 1 |
| HOLDER,CHANGE DRUM (Ref # 13091A) | 13091-1834 | 1 |
| FORK-SHIFT (Ref # 13140) | 13140-1196 | 1 |
| FORK-SHIFT (Ref # 13140A) | 13140-1197 | 1 |
| FORK-SHIFT (Ref # 13140B) | 13140-1198 | 1 |
| DRUM-ASSY-CHANGE (Ref # 13239) | 13239-1184 | 1 |
| PLATE-POSITION,CHANGE DRUM (Ref # 14014) | 14014-1059 | 1 |
| ROD-SHIFT (Ref # 49047) | 49047-1055 | 1 |
| BOLT,SOCKET,6X16 (Ref # 92002) | 92002-1778 | 1 |
| SCREW,6X45 (Ref # 92009) | 92009-1599 | 1 |
| PIN,DOWEL,4X15.8 (Ref # 92042) | 92042-014 | 1 |
| PIN,DOWEL,4X17.8 (Ref # 92042A) | 92042-020 | 1 |
| BEARING-BALL,16005(NTN) (Ref # 92045) | 92045-1045 | 1 |