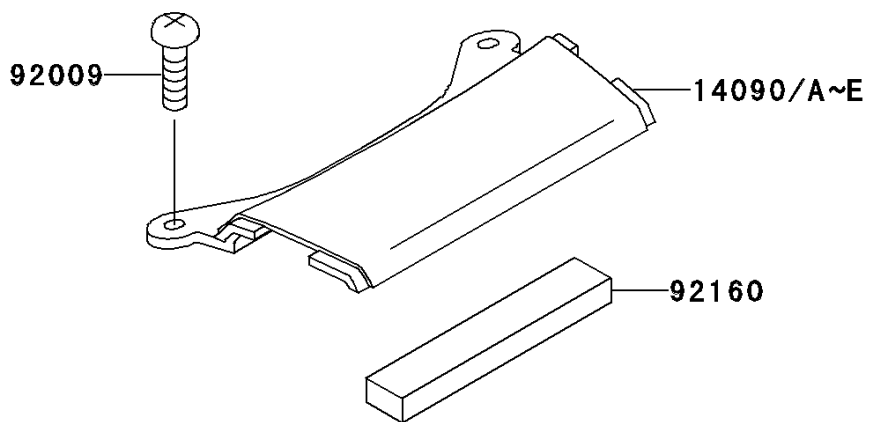
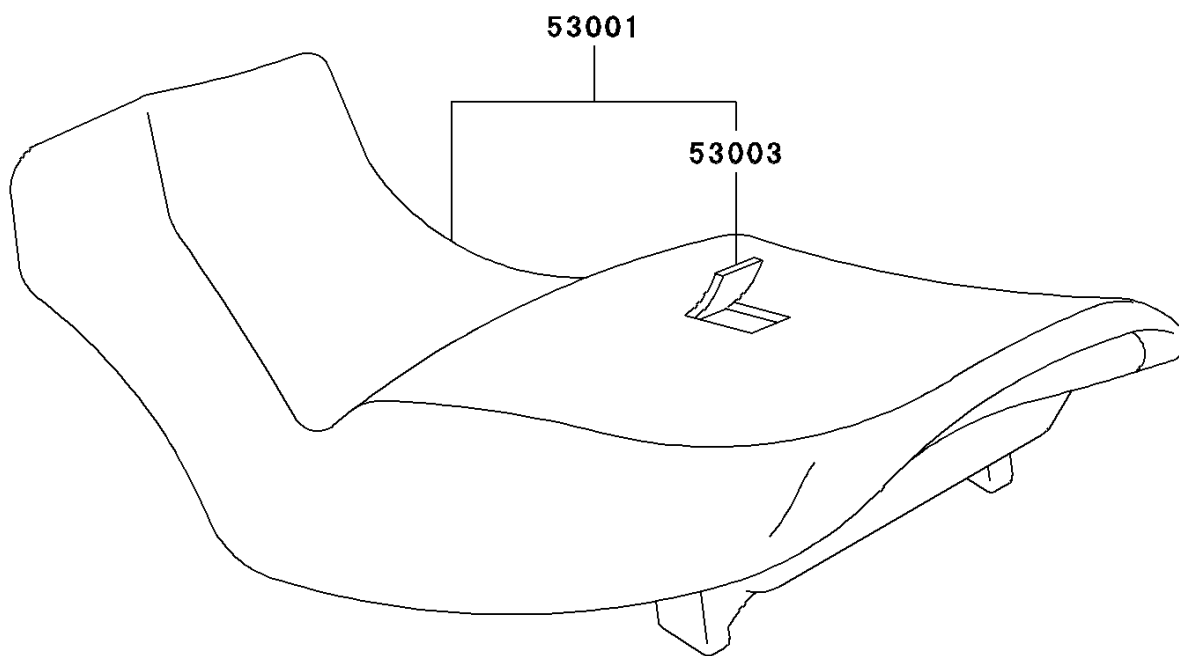


1993 NINJA® ZX™-11 PARTS DIAGRAM

Seat

F2510



1993 NINJA® ZX™-11 PARTS LIST

Seat

ITEM NAME	PART NUMBER	QUANTITY
SEAT-ASSY,DUAL,BLACK (Ref # 53001)	53001-1690-MA	1
LEATHER,SEAT,BLACK (Ref # 53003)	53003-1271-MA	1
SCREW,6X18,BLACK (Ref # 92009)	92009-1181	1
DAMPER (Ref # 92160)	92160-1430	1
COVER,TAIL,M.VIOLET ROYAL (Ref # 14090)	14090-1280-JW	1
COVER,TAIL,C.W.RED (Ref # 14090B)	14090-1280-TF	1