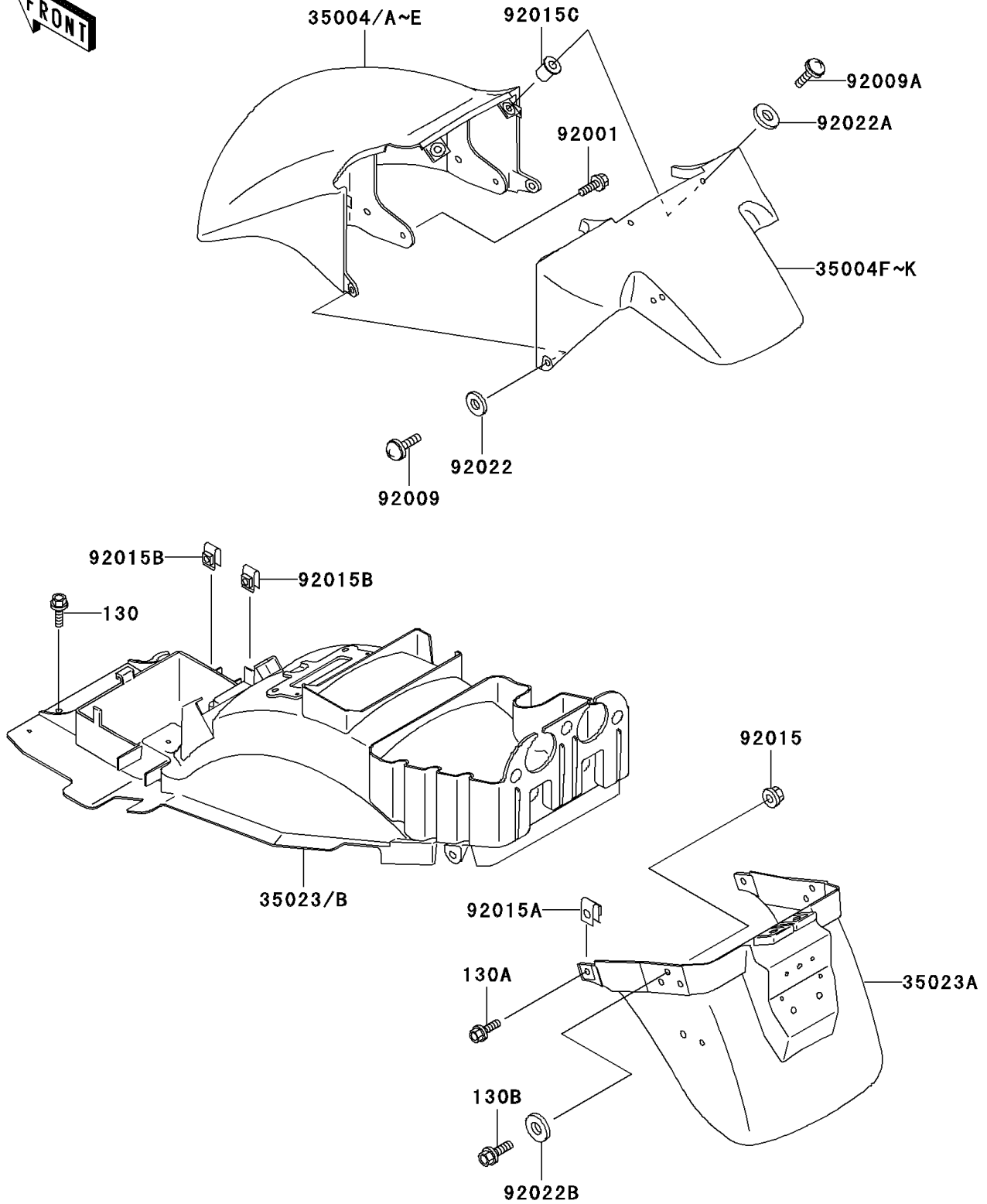


1993 NINJA® ZX™-11 PARTS DIAGRAM

Fenders

F2170



1993 NINJA® ZX™-11 PARTS LIST

Fenders

ITEM NAME	PART NUMBER	QUANTITY
BOLT-FLANGED (Ref # 130)	130J0612	1
BOLT-FLANGED,6X14,BLACK (Ref # 130A)	130J0614	1
BOLT-FLANGED (Ref # 130B)	130J0620	1
FENDER-REAR,RR (Ref # 35023A)	35023-1349	1
BOLT,W/SP,6X16 (Ref # 92001)	92001-1763	1
SCREW,6X14 (Ref # 92009)	92009-1611	1
SCREW,5X18 (Ref # 92009A)	92009-1655	1
NUT,FLANGED,6MM (Ref # 92015)	92015-1078	1
NUT,6MM (Ref # 92015A)	92015-1094	1
NUT,6MM (Ref # 92015B)	92015-1671	1
NUT,WELL,5MM (Ref # 92015C)	92015-1757	1
WASHER,6.5X16X1 (Ref # 92022)	92022-1143	1
WASHER,NYLON,5.3X11.5X1.5 (Ref # 92022A)	92022-1521	1
WASHER,6.5X16X2 (Ref # 92022B)	92022-1565	1
FENDER-FRONT,FR,VIOLET ROYAL (Ref # 35004)	35004-1309-JW	1
FENDER-FRONT,FR,C.W.RED (Ref # 35004B)	35004-1309-TF	1
FENDER-FRONT,RR,VIOLET ROYAL (Ref # 35004F)	35004-1310-JW	1
FENDER-FRONT,RR,C.W.RED (Ref # 35004H)	35004-1310-TF	1
FENDER-REAR,FR (Ref # 35023)	35023-1343	1
FENDER-REAR,FR (Ref # 35023B)	35023-1351	1