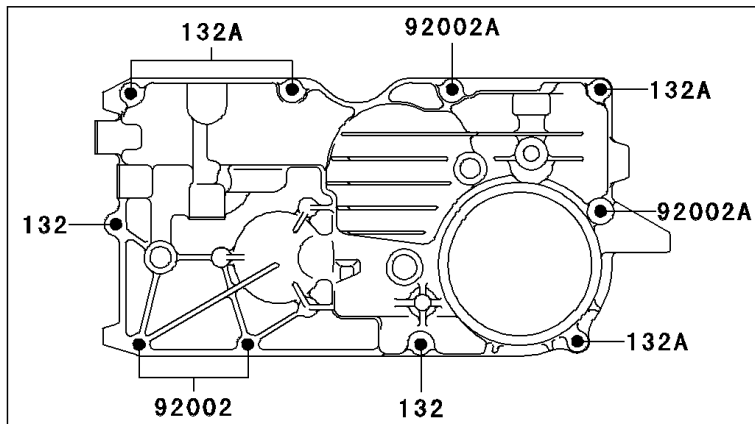
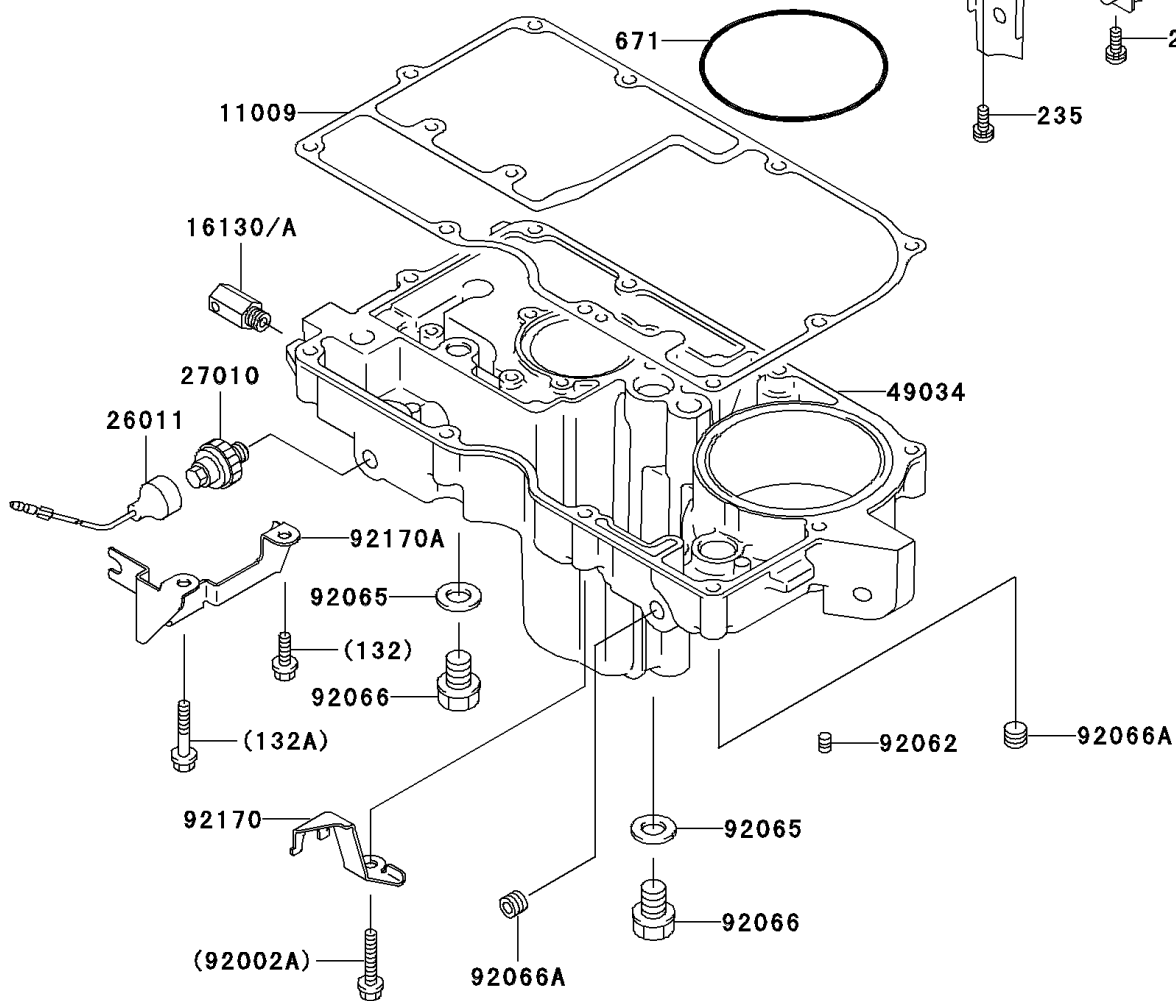
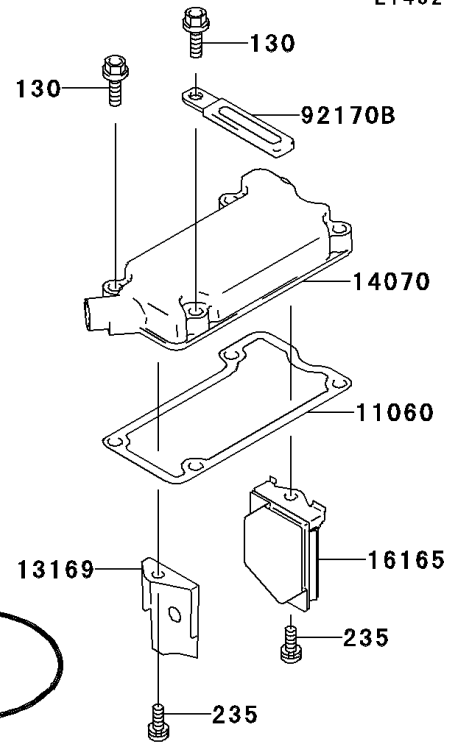


1993 NINJA® ZX™-11 PARTS DIAGRAM

Breather Cover/Oil Pan



E1432



1993 NINJA® ZX™-11 PARTS LIST

Breather Cover/Oil Pan

| ITEM NAME | PART NUMBER | QUANTITY |
|---|-------------|----------|
| BOLT-FLANGED,6X25 (Ref # 130) | 130P0625 | 1 |
| BOLT-FLANGED-SMALL (Ref # 132) | 132J0625 | 1 |
| BOLT-FLANGED-SMALL,6X40 (Ref # 132A) | 132J0640 | 1 |
| SCREW-PAN-WP-CROS (Ref # 235) | 235B0610 | 1 |
| O RING,90MM (Ref # 671) | 671B2590 | 1 |
| GASKET,OIL PAN (Ref # 11009) | 11009-1981 | 1 |
| GASKET,BREATHER BODY (Ref # 11060) | 11060-1339 | 1 |
| PLATE,BREATHER (Ref # 13169) | 13169-1967 | 1 |
| BODY-BREATHER (Ref # 14070) | 14070-1072 | 1 |
| VALVE-ASSY-RELIEF (Ref # 16130) | 16130-1001 | 1 |
| SEPARATOR,OIL (Ref # 16165) | 16165-1053 | 1 |
| WIRE-LEAD (Ref # 26011) | 26011-1371 | 1 |
| SWITCH,OIL PRESSURE (Ref # 27010) | 27010-1313 | 1 |
| PAN-OIL (Ref # 49034) | 49034-1118 | 1 |
| BOLT,6X25 (Ref # 92002) | 92002-1344 | 1 |
| BOLT,6X40 (Ref # 92002A) | 92002-1345 | 1 |
| NOZZLE,6X8,BLACK (Ref # 92062) | 92062-1079 | 1 |
| GASKET,12X22X2,DRAIN PLUG (Ref # 92065) | 92065-097 | 1 |
| PLUG,OIL DRAIN,12X15 (Ref # 92066) | 92066-1174 | 1 |
| PLUG,OIL LINE,1/8X7 (Ref # 92066A) | 92066-1342 | 1 |
| CLAMP,OIL TUBE (Ref # 92170) | 92170-1188 | 1 |
| CLAMP,OIL TUBE (Ref # 92170A) | 92170-1189 | 1 |
| CLAMP (Ref # 92170B) | 92170-1514 | 1 |