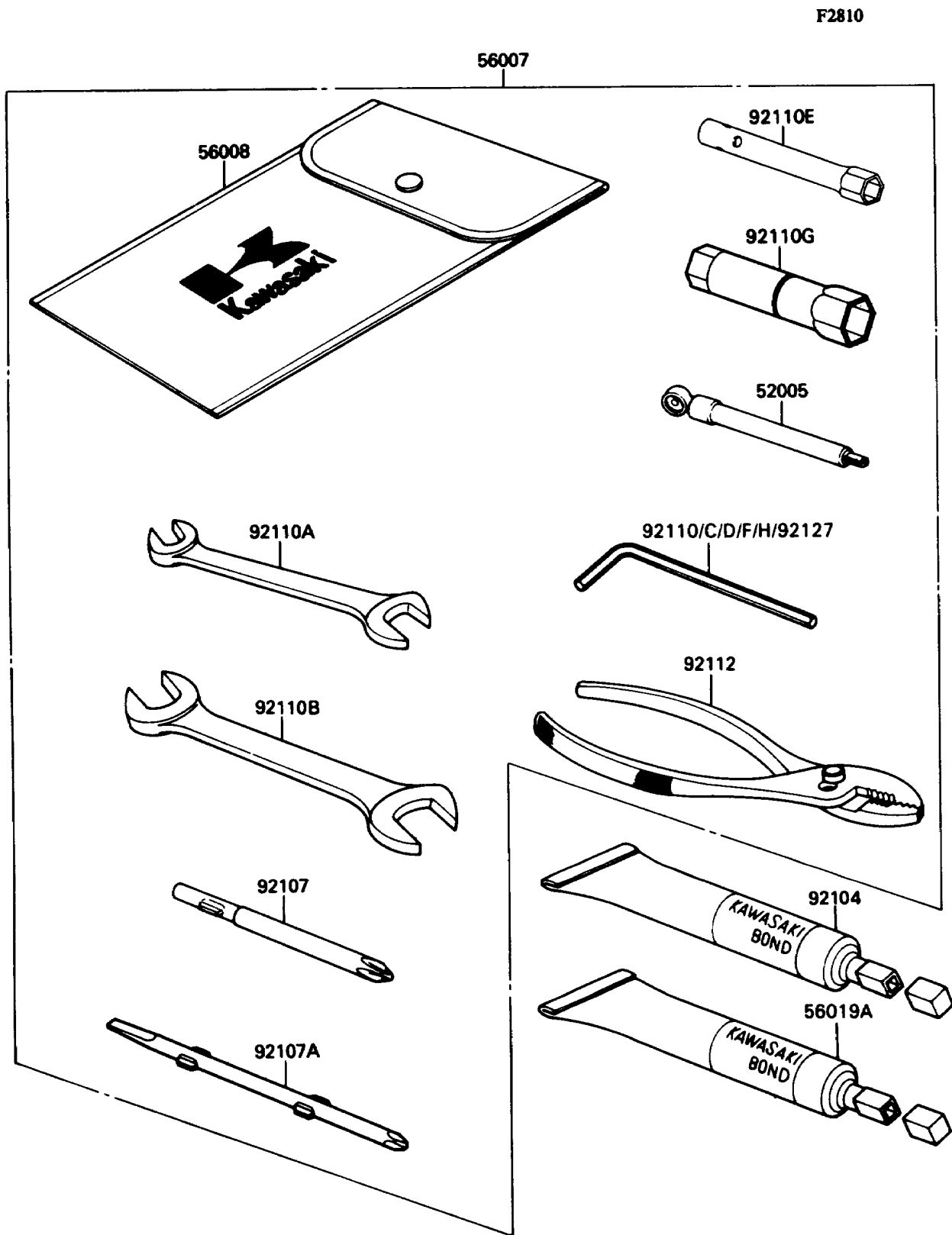


1990 NINJA® ZX™-11 PARTS DIAGRAM

Tool



1990 NINJA® ZX™-11 PARTS LIST

Tool

| ITEM NAME | PART NUMBER | QUANTITY |
|--|-------------|----------|
| GAUGE,AIR,3.5KG/CM2 (Ref # 52005) | 52005-1031 | 1 |
| TOOL-KIT (Ref # 56007) | 56007-1349 | 1 |
| BAG,TOOL (Ref # 56008) | 56008-006 | 1 |
| THREE BOND TB1211,HT/RS,WHITE (Ref # 56019A) | 56019-120 | 1 |
| GASKET-LIQUID,TUBE,100G,BLACK (Ref # 92104) | 92104-1003 | 1 |
| TOOL-DRIVER,#3PHILLIPS (Ref # 92107) | 92107-1002 | 1 |
| TOOL-DRIVER,#2PHILLIPS&SLOT (Ref # 92107A) | 92107-1052 | 1 |
| TOOL-WRENCH,ALLEN,5MM (Ref # 92110) | 92110-1015 | 1 |
| TOOL-WRENCH,OPEN END,10X12 (Ref # 92110A) | 92110-1038 | 1 |
| TOOL-WRENCH,OPEN END,14X17 (Ref # 92110B) | 92110-1045 | 1 |
| TOOL-WRENCH,ALLEN,12MM (Ref # 92110C) | 92110-1104 | 1 |
| TOOL-WRENCH,ALLEN,8MM (Ref # 92110D) | 92110-1108 | 1 |
| TOOL-WRENCH,BOX,10MM (Ref # 92110E) | 92110-1125 | 1 |
| TOOL-WRENCH,ALLEN,3MM (Ref # 92110F) | 92110-1140 | 1 |
| TOOL-WRENCH,BOX,16MM (Ref # 92110G) | 92110-1145 | 1 |
| TOOL-WRENCH,ALLEN,4MM (Ref # 92110H) | 92110-3703 | 1 |
| TOOL-PLIERS (Ref # 92112) | 92112-003 | 1 |
| TOOL-WRENCH,ALLEN,6MM (Ref # 92127) | 92127-003 | 1 |