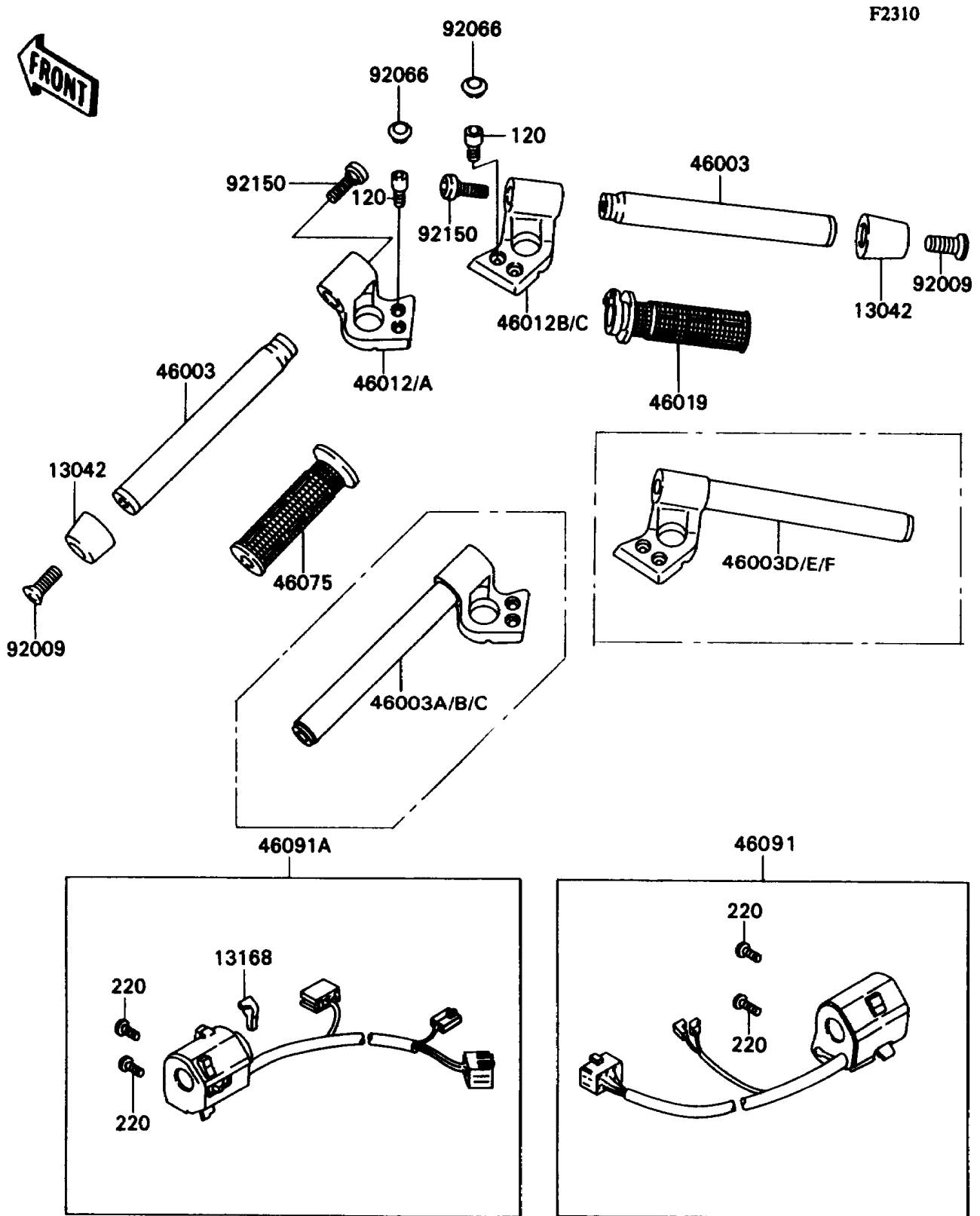


## 1990 NINJA® ZX™-11 PARTS DIAGRAM

Handlebar



## 1990 NINJA® ZX™-11 PARTS LIST

Handlebar

ITEM NAME	PART NUMBER	QUANTITY
WEIGHT,HANDLE (Ref # 13042)	13042-1005	1
LEVER,CHOKE (Ref # 13168)	13168-1448	1
HANDLE (Ref # 46003)	46003-1329	1
HOLDER-HANDLE,LH,G.GRAY (Ref # 46012)	46012-1215-GD	1
HOLDER-HANDLE,LH,G.GRAY (Ref # 46012A)	46012-1215-HN	1
HOLDER-HANDLE,RH,G.GRAY (Ref # 46012B)	46012-1216-GD	1
HOLDER-HANDLE,RH,G.GRAY (Ref # 46012C)	46012-1216-HN	1
GRIP-ASSY,THROTTLE (Ref # 46019)	46019-1072	1
GRIP,LH (Ref # 46075)	46075-1088	1
HOUSING-ASSY-CONTROL,RH (Ref # 46091)	46091-1533	1
HOUSING-ASSY-CONTROL,LH (Ref # 46091A)	46091-1534	1
SCREW,8X45 (Ref # 92009)	92009-1257	1
PLUG (Ref # 92066)	92066-1277	1
BOLT,8X30 (Ref # 92150)	92150-1425	1
BOLT-SOCKET,8X20 (Ref # 120)	120S0820	1
SCREW-PAN-CROS (Ref # 220)	220C0520	1