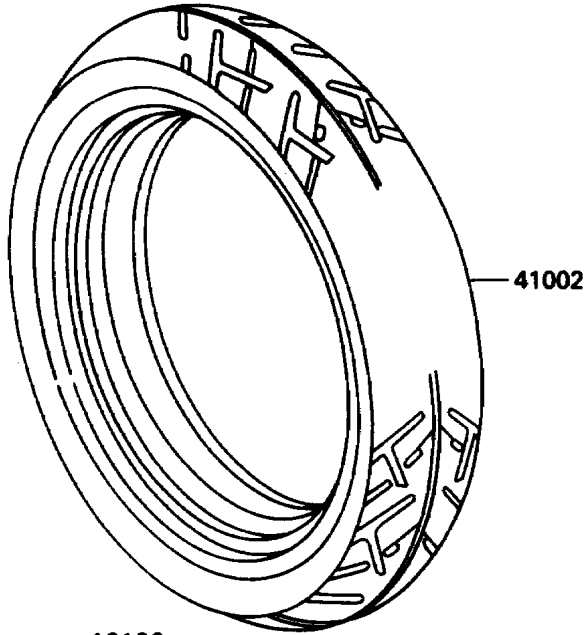
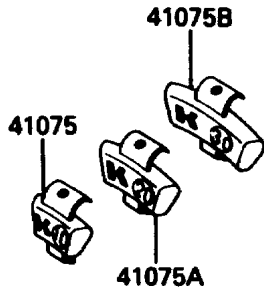


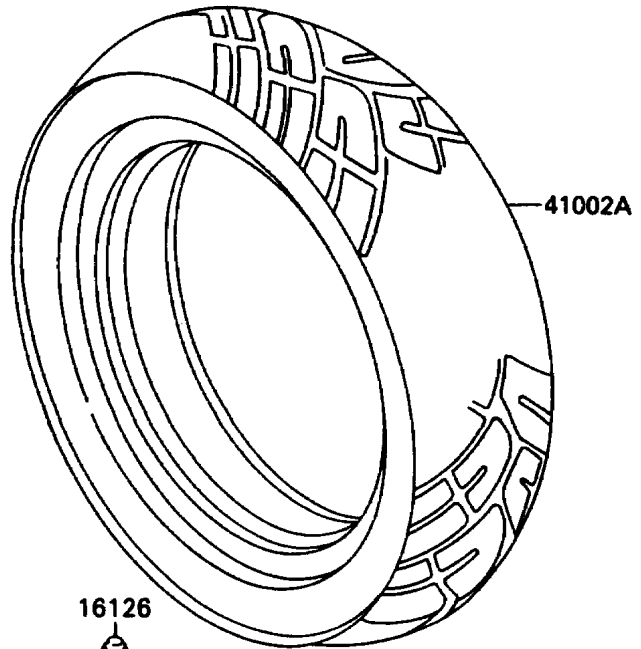
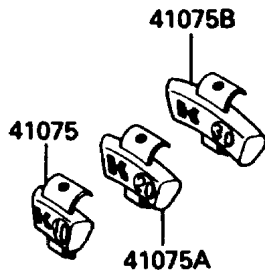
## 1990 NINJA® ZX™-11 PARTS DIAGRAM

Tire

F2210



16126



16126



## 1990 NINJA® ZX™-11 PARTS LIST

Tire

ITEM NAME	PART NUMBER	QUANTITY
VALVE,TIRE (Ref # 16126)	16126-1140	1
TIRE,FR,120/70VR17-V290(D) (Ref # 41002)	41002-1789	1
TIRE,RR,170/60VR17-V290(D) (Ref # 41002A)	41002-1790	1
BALANCER-WHEEL,10G,SILVER (Ref # 41075)	41075-1014	1
BALANCER-WHEEL,20G,SILVER (Ref # 41075A)	41075-1015	1
BALANCER-WHEEL,30G,SILVER (Ref # 41075B)	41075-1016	1