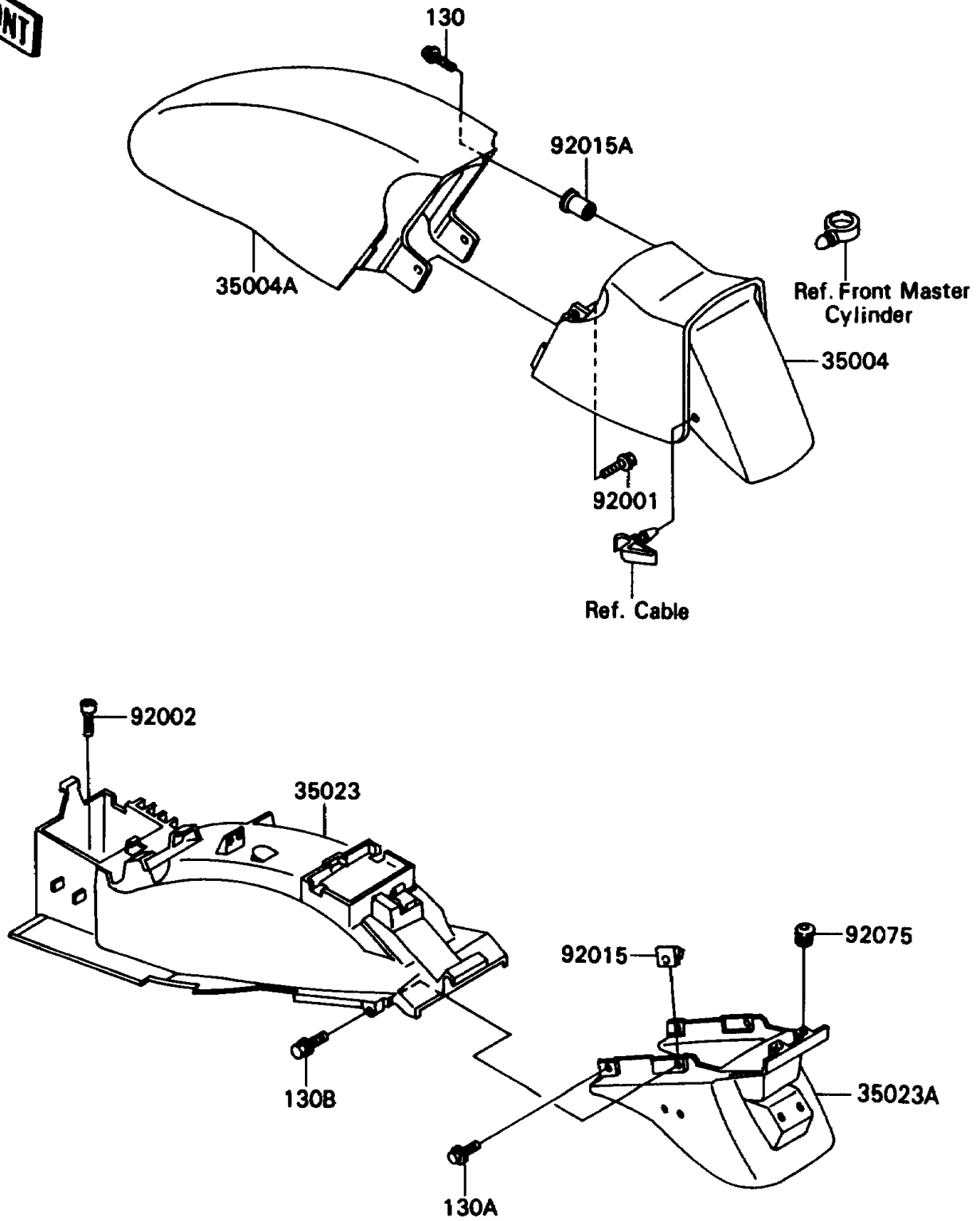


## 1990 NINJA® ZX™-11 PARTS DIAGRAM

Fender

F2170



## 1990 NINJA® ZX™-11 PARTS LIST

Fender

ITEM NAME	PART NUMBER	QUANTITY
FENDER-FRONT,RR,EBONY (Ref # 35004)	35004-1255-H8	1
FENDER-FRONT,FR,EBONY (Ref # 35004A)	35004-1275-H8	1
FENDER-REAR,FR (Ref # 35023)	35023-1257	1
FENDER-REAR,RR (Ref # 35023A)	35023-1258	1
BOLT,W/SP,6X16 (Ref # 92001)	92001-1763	1
BOLT,6X12 (Ref # 92002)	92002-1884	1
NUT,6MM (Ref # 92015)	92015-1094	1
NUT,WELL,5MM (Ref # 92015A)	92015-1757	1
DAMPER (Ref # 92075)	92075-1011	1
BOLT-FLANGED (Ref # 130)	130J0520	1
BOLT-FLANGED,6X14,BLACK (Ref # 130A)	130J0614	1
BOLT-FLANGED,6X35 (Ref # 130B)	130J0635	1